
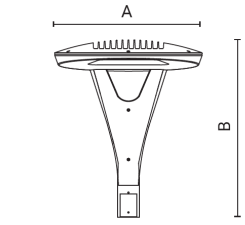


LUNIO-STREET + LUNIO7 SPECIFICATION SHEET


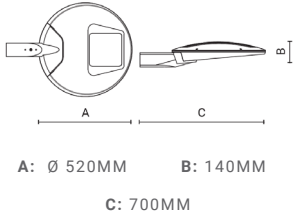


LUNIO7

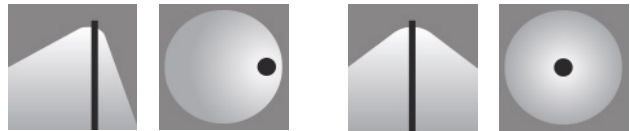
A: Ø 520MM B: 627MM

LUNIO-STREET

A: Ø 520MM B: 140MM
C: 700MM

OPTICS



TYPE II / TYPE III / TYPE IV TYPE VS-W

NOTES

Appliance Notes:

- Die-cast aluminium body (EN 47100).
- Double layer polyester powder paint resistant to corrosion and salt spray fog (Coastal paint finish optional).
- Silicone rubber gaskets.
- AISI 316 stainless steel external screws.
- Wiring on removable galvanized steel tray.
- Knife-switch for automatic power disconnection when opened.
- Driver protected against voltage surges.
- PMMA lenses for LEDs.
- Screen made of 4mm thermal-shock resistant tempered glass.

Installation Notes:

- Post-top installation (Ø60mm reduction).
- Supplied with power cable ended (0.15m) by IP66 socket-plug connector with locking ring for cables of diameter 9-12mm.

ELECTRICAL & PHYSICAL DATA

LIGHT SOURCE:	LED
LUMINAIRE:	35 WATT
POWER SUPPLY:	220-240 50Hz
WIRING:	ON/OFF, DALI
OPTICS:	TYPE II, TYPE III, TYPE IV, TYPE VS-W
COLOUR:	BLACK, GREY, ALUMINIUM
WEIGHT - LUNIO7	12.6kg
WEIGHT - LUNIO-STREET	11.5kg


VARIATIONS


MANUFACTURER	LIGHT NAME	LIGHT TYPE	WATTAGE	OPTICS	CCT	PE CELL	PAINT FINISH	COLOUR	WIRING	AEMO
A Arcluce	L Lunio	7 Lunio7 S Lunio-Street	35 35W	2 Type II 3 Type III 4 Type IV 5S Type VS-W	30 3000K 40 4000K	R NEMA based PE Cell Blank No PE Cell	- Standard -C Coastal	12 Black 16 Grey 21 Aluminium	-CEI On/Off -DALI DALI	AO AEMO
Code Example: (See breakdown below) AL735230R-C12-DALIAO										
A Arcluce	L Lunio	7 Lunio7	35 35W	2 Type II	30 3000K	R NEMA based PE Cell	-C Coastal	12 Black	-DALI DALI	AO AEMO

NOTE: This spec sheet has been modified to display only variations approved by and listed on the National Electricity Market Load Tables For Unmetered Connection Points, as published by the Australian Energy Market Operator (AEMO). Contact Advanced Lighting Technologies for more information.

LUNIO-STREET + LUNIO7 CROSS REFERENCE TABLE

Advanced Lighting Technologies' product codes for AEMO Approved Lunio 7 & Lunio-Street differ from those used by the manufacturer. We've created this useful cross-reference table to assist customers to identify and use the correct photometric files. Please contact us if you require further assistance.

LUNIO7				
				
OPTICS	WATT	CCT	SUPPLIER CODE	ADLT CODE PREFIX
Type II	35W	3000K	0876007A-830-##	AL735230*
Type II	35W	4000K	0876007A-840-##	AL735240*
Type III	35W	3000K	0876013A-830-##	AL735330*
Type III	35W	4000K	0876013A-840-##	AL735340*
Type IV	35W	3000K	0876003A-830-##	AL735430*
Type IV	35W	4000K	0876003A-840-##	AL735440*
Type VS-W	35W	3000K	0876001A-830-##	AL7355S30*
Type VS-W	35W	4000K	0876001A-840-##	AL7355S40*

LUNIO-STREET				
				
OPTICS	WATT	CCT	SUPPLIER CODE	ADLT CODE PREFIX
Type II	35W	3000K	0877013A-830-##	ALS35230*
Type II	35W	4000K	0877013A-840-##	ALS35240*
Type III	35W	3000K	0877001A-830-##	ALS35330*
Type III	35W	4000K	0877001A-840-##	ALS35340*
Type IV	35W	3000K	0877003A-830-##	ALS35430*
Type IV	35W	4000K	0877003A-840-##	ALS35440*
Type VS-W	35W	3000K	0877007A-830-##	ALS355S30*
Type VS-W	35W	4000K	0877007A-840-##	ALS355S40*

= colour code eg 12, 16, 21.

* = remainder of code eg PE Cell, Colour etc. See specification sheet for more detail.

NOTE: This spec sheet has been modified to display only variations approved by and listed on the National Electricity Market Load Tables For Unmetered Connection Points, as published by the Australian Energy Market Operator (AEMO). Contact Advanced Lighting Technologies for more information.

REVISION DATE: 25/08/2021