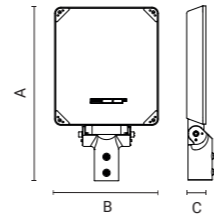


ECO2 Urban (post top)

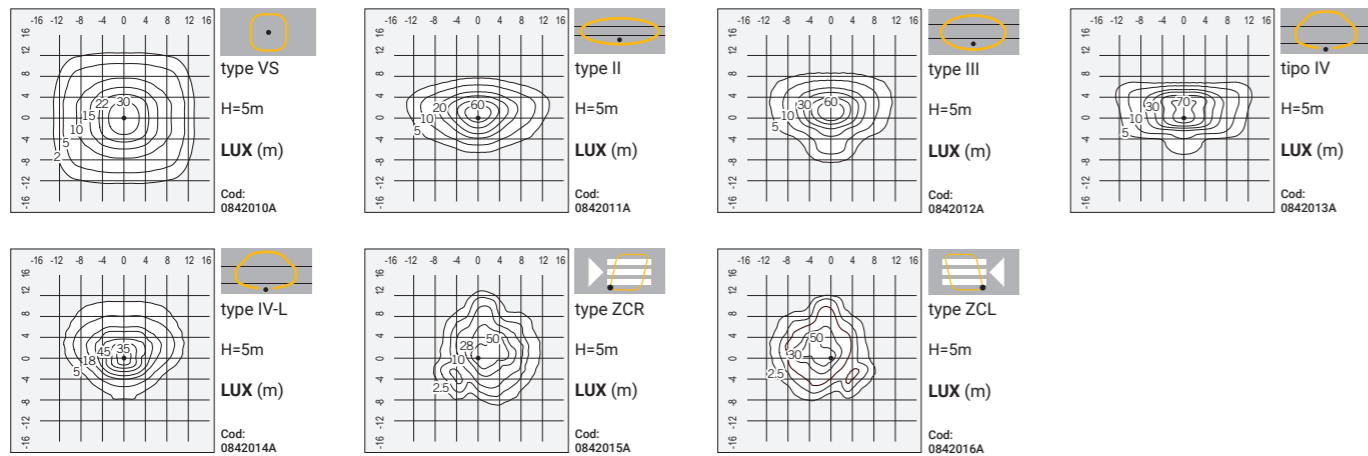


Version
PROFESSIONAL
STREET OPTICS

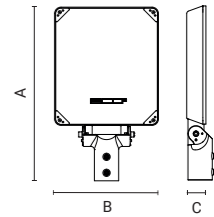


Code	Optic	Watt	Lumen	CRI	CCT	Class	Wiring	Power Supply	A	B	C
0842010A-840-21	type VS	52W	6800lm	80	4000K	☐	ON/OFF	220-240V 50/60Hz	545	325	60
0842011A-840-21	type II	52W	6900lm	80	4000K	☐	ON/OFF	220-240V 50/60Hz	545	325	60
0842012A-840-21	type III	52W	6900lm	80	4000K	☐	ON/OFF	220-240V 50/60Hz	545	325	60
0842013A-840-21	type IV	52W	7200lm	80	4000K	☐	ON/OFF	220-240V 50/60Hz	545	325	60
0842014A-840-21	type IV-L	52W	6800lm	80	4000K	☐	ON/OFF	220-240V 50/60Hz	545	325	60
0842015A-840-21	type ZCR	54W	5700lm	80	4000K	☐	ON/OFF	220-240V 50/60Hz	545	325	60
0842016A-840-21	type ZCL	54W	5700lm	80	4000K	☐	ON/OFF	220-240V 50/60Hz	545	325	60

LIGHTING DATA

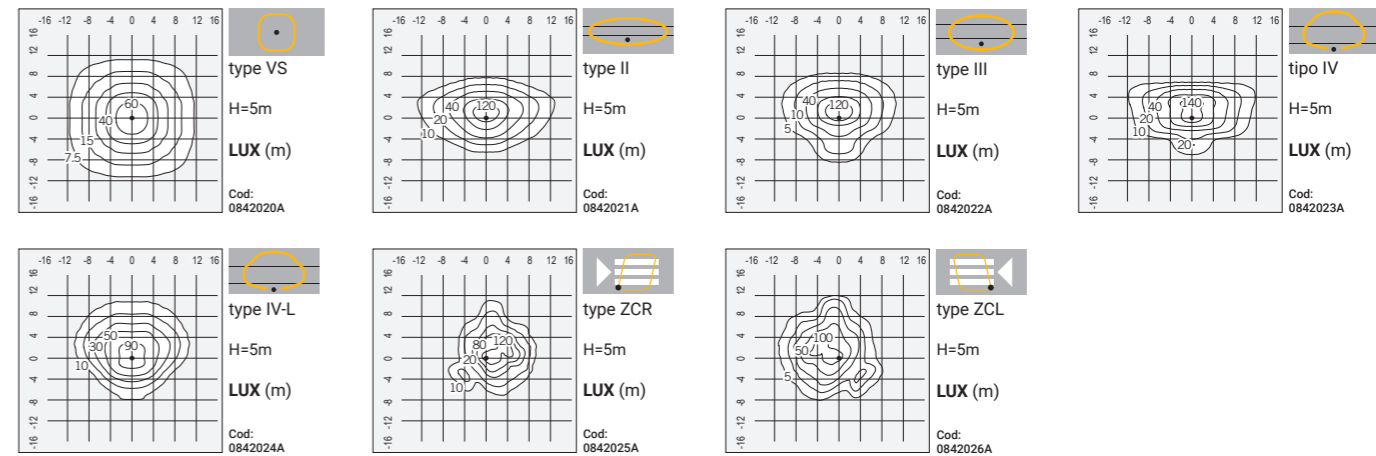


Version
PROFESSIONAL+
STREET OPTICS



Code	Optic	Watt	Lumen	CRI	CCT	Class	Wiring	Power Supply	A	B	C
0842020A-840-21	type VS	100W	12900lm	80	4000K	☐	ON/OFF	220-240V 50/60Hz	545	325	60
0842021A-840-21	type II	100W	13250lm	80	4000K	☐	ON/OFF	220-240V 50/60Hz	545	325	60
0842022A-840-21	type III	100W	13200lm	80	4000K	☐	ON/OFF	220-240V 50/60Hz	545	325	60
0842023A-840-21	type IV	100W	13500lm	80	4000K	☐	ON/OFF	220-240V 50/60Hz	545	325	60
0842024A-840-21	type IV-L	100W	13000lm	80	4000K	☐	ON/OFF	220-240V 50/60Hz	545	325	60
0842025A-840-21	type ZCR	104W	10600lm	80	4000K	☐	ON/OFF	220-240V 50/60Hz	545	325	60
0842026A-840-21	type ZCL	104W	10600lm	80	4000K	☐	ON/OFF	220-240V 50/60Hz	545	325	60

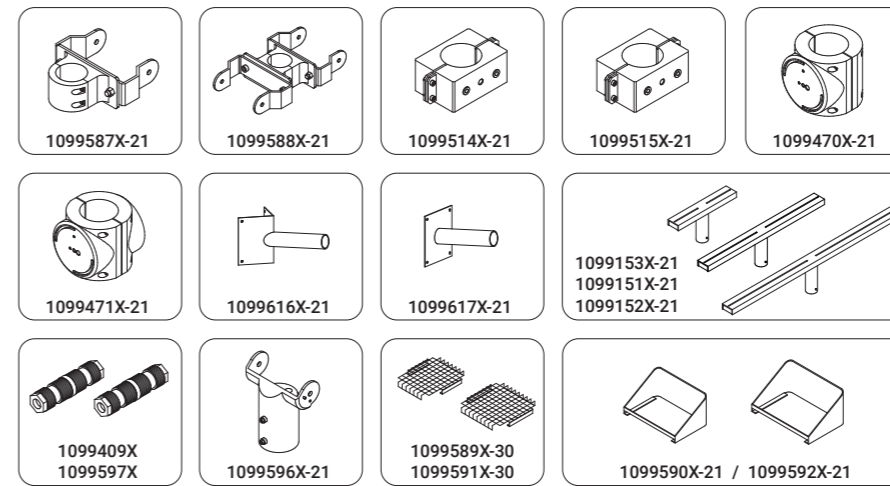
LIGHTING DATA



ACCESSORIES ECO

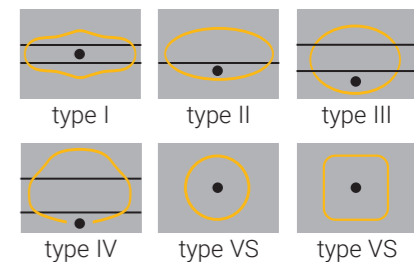
1099587X-21	Single pole attachment Ø 60 mm.
1099588X-21	Double pole attachment Ø 60 mm.
1099514X-21	Single pole attachment Ø 76 mm.
1099515X-21	Double pole attachment Ø 76 mm.
1099470X-21	Adjustable single pole attachment Ø 102 mm.
1099471X-21	Adjustable double pole attachment Ø 102 mm.
1099616X-21	Wall-mounted floodlight supporting bracket with angular attachment.
1099617X-21	Wall-mounted floodlight supporting bracket.
1099153X-21	1 floodlight supporting bracket with Ø 60 mm pole reduction (L=500mm).
1099151X-21	2 floodlights supporting bracket with Ø 60 mm pole reduction (L=1000mm).

1099152X-21	3 floodlights supporting bracket with Ø 60 mm pole reduction (L=1500mm).
1099596X-21	Attachment to convert ECO floodlight to post top Ø 60 mm (for ECO1 and ECO2).
1099409X	Kit quick electrical connection IP68 - 3 poles (to be ordered with the light fitting).
1099597X	Kit quick electrical connection IP68 - 5 poles (to be ordered with the light fitting).
1099589X-30	ECO1 - Protection grid.
1099590X-21	ECO1 - Sloped visor.
1099591X-30	ECO2 - Protection grid.
1099592X-21	ECO2 - Sloped visor.



STREET OPTICS

MAIN



CROSSWALK

