

# RENIO

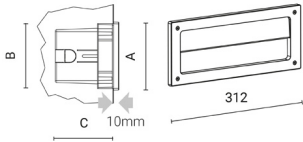
oneway - aluminium trim



Arcluce Code **0575010A-840-21**

Ex Code

Code EAN **8054378325236**



## Technical information

<b>Light source:</b>	LED, 4000K, CRI>80
<b>Luminaire efficacy:</b>	19lm/W
<b>Luminaire:</b>	8W , 150lm
<b>LED life time:</b>	> 60000h - L80 - B20 (Ta 25°C)
<b>High colour consistency:</b>	< 3 SDCM
<b>Power supply:</b>	220-240V 50/60Hz
<b>Wiring:</b>	ON/OFF
<b>Optics:</b>	asymmetric lmax=45°
<b>Color:</b>	Aluminium - 21
<b>Weight:</b>	1.97 kg
<b>Size:</b>	A: 127mm B: 121mm C: 110mm

CE

IP65

IK09



## Appliance

- Shatterproof body made of fiber glass reinforced engineering plastic.
- Die-cast aluminium (EN 47100) or AISI 316L stainless steel trim or louvre.
- Double layer polyester powder paint resistant to corrosion and salt spray fog.
- Silicone rubber gaskets.
- AISI 316 stainless steel external screws.
- Ribbed and internally frosted polycarbonate screen to reduce glare, smooth outside surface to ease cleaning.
- High quality LED sources characterized according to IES TM-30, with high color consistency <3SDCM and long useful life >60000 hours at L80.

## Installation

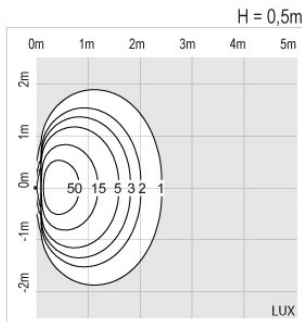
- Recessed installation.
- Double waterproof grommet for through wiring.
- Supplied with recessed installation box made of engineering plastic.

## Note

- Available versions with Casambi and other modern control systems, for more information see "Light controls" section.

## Norm

- It complies with standards EN 60598-1 and EN 60598-2-2.



# RENIO

oneway - aluminium trim



Arcluce Code           **0575010A-840-21**

Ex Code

Code EAN               **8054378325236**



## Specifications

The recessed wall luminaire with high visual comfort  
Shatterproof body made of fiber glass reinforced engineering plastic. Die-cast aluminium (EN 47100) or AISI 316L stainless steel trim or louvre. Double layer polyester powder paint resistant to corrosion and salt spray fog. Silicone rubber gaskets. AISI 316 stainless steel external screws. Ribbed and internally frosted polycarbonate screen to reduce glare, smooth outside surface to ease cleaning. High quality LED sources characterized according to IES TM-30, with high color consistency <3SDCM and long useful life >60000 hours at L80.  
It complies with standards EN 60598-1 and EN 60598-2-2.  
LED sources available in color temperatures 4000K  
High color consistency < 3 SDCM and LED life time > 60000h - L80 - B20 (Ta 25°C).  
System effectiveness, minimum 19lm/W  
Luminaire in insulation class I.  
DRIVER INCLUDED.  
Recessed installation. Double waterproof grommet for through wiring. Supplied with recessed installation box made of engineering plastic.  
Available versions with Casambi and other modern control systems, for more information see "Light controls" section.  
Brand ARCLUCE mod. RENIO

# RENIO

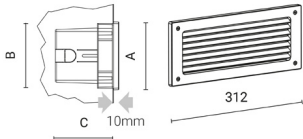
with louvre - die-cast aluminium trim



Arcluce Code **0575011A-840-21**

Ex Code

Code EAN **8054378325298**



## Technical information

<b>Light source:</b>	LED, 4000K, CRI>80
<b>Luminaire efficacy:</b>	16lm/W
<b>Luminaire:</b>	8W , 125lm
<b>LED life time:</b>	> 60000h - L80 - B20 (Ta 25°C)
<b>High colour consistency:</b>	< 3 SDCM
<b>Power supply:</b>	220-240V 50/60Hz
<b>Wiring:</b>	ON/OFF
<b>Optics:</b>	asymmetric lmax=33°
<b>Color:</b>	Aluminium - 21
<b>Weight:</b>	1.97 kg
<b>Size:</b>	A: 127mm B: 121mm C: 110mm

CE

IP65

IK09



## Appliance

- Shatterproof body made of fiber glass reinforced engineering plastic.
- Die-cast aluminium (EN 47100) or AISI 316L stainless steel trim or louvre.
- Double layer polyester powder paint resistant to corrosion and salt spray fog.
- Silicone rubber gaskets.
- AISI 316 stainless steel external screws.
- Ribbed and internally frosted polycarbonate screen to reduce glare, smooth outside surface to ease cleaning.
- High quality LED sources characterized according to IES TM-30, with high color consistency <3SDCM and long useful life >60000 hours at L80.

## Installation

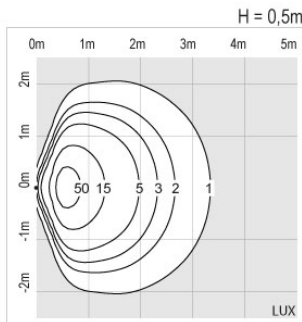
- Recessed installation.
- Double waterproof grommet for through wiring.
- Supplied with recessed installation box made of engineering plastic.

## Note

- Available versions with Casambi and other modern control systems, for more information see "Light controls" section.

## Norm

- It complies with standards EN 60598-1 and EN 60598-2-2.



# RENIO

with louvre - die-cast aluminium trim



Arcluce Code           **0575011A-840-21**

Ex Code

Code EAN               **8054378325298**



## Specifications

The recessed wall luminaire with high visual comfort  
Shatterproof body made of fiber glass reinforced engineering plastic. Die-cast aluminium (EN 47100) or AISI 316L stainless steel trim or louvre. Double layer polyester powder paint resistant to corrosion and salt spray fog. Silicone rubber gaskets. AISI 316 stainless steel external screws. Ribbed and internally frosted polycarbonate screen to reduce glare, smooth outside surface to ease cleaning. High quality LED sources characterized according to IES TM-30, with high color consistency <3SDCM and long useful life >60000 hours at L80.

It complies with standards EN 60598-1 and EN 60598-2-2.

LED sources available in color temperatures 4000K

High color consistency < 3 SDCM and LED life time > 60000h - L80 - B20 (Ta 25°C).

System effectiveness, minimum 16lm/W

Luminaire in insulation class I.

DRIVER INCLUDED.

Recessed installation. Double waterproof grommet for through wiring. Supplied with recessed installation box made of engineering plastic.

Available versions with Casambi and other modern control systems, for more information see "Light controls" section.

Brand ARCLUCE mod. RENIO

# RENIO

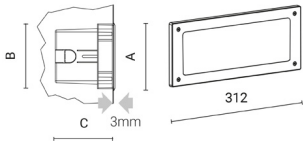
full light - stainless steel trim



Arcluce Code **0575012A-840-30**

Ex Code

Code EAN **8054378325311**



## Technical information

<b>Light source:</b>	LED, 4000K, CRI>80
<b>Luminaire efficacy:</b>	41lm/W
<b>Luminaire:</b>	8W , 325lm
<b>LED life time:</b>	> 60000h - L80 - B20 (Ta 25°C)
<b>High colour consistency:</b>	< 3 SDCM
<b>Power supply:</b>	220-240V 50/60Hz
<b>Wiring:</b>	ON/OFF
<b>Optics:</b>	asymmetric lmax=23°
<b>Color:</b>	Stainless Steel - 30
<b>Weight:</b>	1.9 kg
<b>Size:</b>	A: 127mm B: 121mm C: 110mm

CE

IP65

IK09



## Appliance

- Shatterproof body made of fiber glass reinforced engineering plastic.
- Die-cast aluminium (EN 47100) or AISI 316L stainless steel trim or louvre.
- Double layer polyester powder paint resistant to corrosion and salt spray fog.
- Silicone rubber gaskets.
- AISI 316 stainless steel external screws.
- Ribbed and internally frosted polycarbonate screen to reduce glare, smooth outside surface to ease cleaning.
- High quality LED sources characterized according to IES TM-30, with high color consistency <3SDCM and long useful life >60000 hours at L80.

## Installation

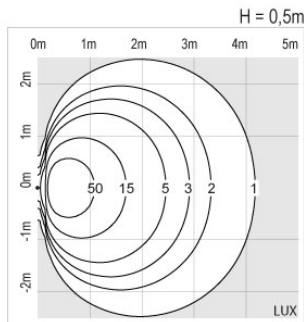
- Recessed installation.
- Double waterproof grommet for through wiring.
- Supplied with recessed installation box made of engineering plastic.

## Note

- Available versions with Casambi and other modern control systems, for more information see "Light controls" section.

## Norm

- It complies with standards EN 60598-1 and EN 60598-2-2.



# RENIO

full light - stainless steel trim



Arcluce Code           **0575012A-840-30**

Ex Code

Code EAN               **8054378325311**



## Specifications

The recessed wall luminaire with high visual comfort  
Shatterproof body made of fiber glass reinforced engineering plastic. Die-cast aluminium (EN 47100) or AISI 316L stainless steel trim or louvre. Double layer polyester powder paint resistant to corrosion and salt spray fog. Silicone rubber gaskets. AISI 316 stainless steel external screws. Ribbed and internally frosted polycarbonate screen to reduce glare, smooth outside surface to ease cleaning. High quality LED sources characterized according to IES TM-30, with high color consistency <3SDCM and long useful life >60000 hours at L80.  
It complies with standards EN 60598-1 and EN 60598-2-2.  
LED sources available in color temperatures 4000K  
High color consistency < 3 SDCM and LED life time > 60000h - L80 - B20 (Ta 25°C).  
System effectiveness, minimum 41lm/W  
Luminaire in insulation class I.  
DRIVER INCLUDED.  
Recessed installation. Double waterproof grommet for through wiring. Supplied with recessed installation box made of engineering plastic.  
Available versions with Casambi and other modern control systems, for more information see "Light controls" section.  
Brand ARCLUCE mod. RENIO

# RENIO

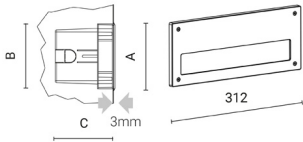
oneway - stainless steel trim



Arcluce Code **0575013A-840-30**

Ex Code

Code EAN **8054378325335**



## Technical information

<b>Light source:</b>	LED, 4000K, CRI>80
<b>Luminaire efficacy:</b>	19lm/W
<b>Luminaire:</b>	8W , 150lm
<b>LED life time:</b>	> 60000h - L80 - B20 (Ta 25°C)
<b>High colour consistency:</b>	< 3 SDCM
<b>Power supply:</b>	220-240V 50/60Hz
<b>Wiring:</b>	ON/OFF
<b>Optics:</b>	asymmetric lmax=45°
<b>Color:</b>	Stainless Steel - 30
<b>Weight:</b>	2.25 kg
<b>Size:</b>	A: 127mm B: 121mm C: 110mm

CE

IP65

IK09



## Appliance

- Shatterproof body made of fiber glass reinforced engineering plastic.
- Die-cast aluminium (EN 47100) or AISI 316L stainless steel trim or louvre.
- Double layer polyester powder paint resistant to corrosion and salt spray fog.
- Silicone rubber gaskets.
- AISI 316 stainless steel external screws.
- Ribbed and internally frosted polycarbonate screen to reduce glare, smooth outside surface to ease cleaning.
- High quality LED sources characterized according to IES TM-30, with high color consistency <3SDCM and long useful life >60000 hours at L80.

## Installation

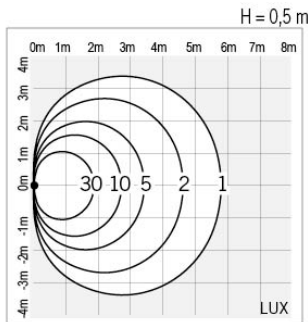
- Recessed installation.
- Double waterproof grommet for through wiring.
- Supplied with recessed installation box made of engineering plastic.

## Note

- Available versions with Casambi and other modern control systems, for more information see "Light controls" section.

## Norm

- It complies with standards EN 60598-1 and EN 60598-2-2.



# RENIO

oneway - stainless steel trim



Arcluce Code           **0575013A-840-30**

Ex Code

Code EAN               **8054378325335**



## Specifications

The recessed wall luminaire with high visual comfort  
Shatterproof body made of fiber glass reinforced engineering plastic. Die-cast aluminium (EN 47100) or AISI 316L stainless steel trim or louvre. Double layer polyester powder paint resistant to corrosion and salt spray fog. Silicone rubber gaskets. AISI 316 stainless steel external screws. Ribbed and internally frosted polycarbonate screen to reduce glare, smooth outside surface to ease cleaning. High quality LED sources characterized according to IES TM-30, with high color consistency <3SDCM and long useful life >60000 hours at L80.

It complies with standards EN 60598-1 and EN 60598-2-2.

LED sources available in color temperatures 4000K

High color consistency < 3 SDCM and LED life time > 60000h - L80 - B20 (Ta 25°C).

System effectiveness, minimum 19lm/W

Luminaire in insulation class I.

DRIVER INCLUDED.

Recessed installation. Double waterproof grommet for through wiring. Supplied with recessed installation box made of engineering plastic.

Available versions with Casambi and other modern control systems, for more information see "Light controls" section.

Brand ARCLUCE mod. RENIO



# RENIO

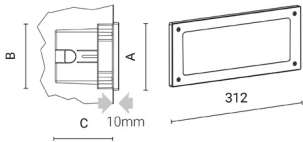
full light - aluminium trim



Arcluce Code **0575014A-840-21**

Ex Code

Code EAN **8054378325397**



## Technical information

<b>Light source:</b>	LED, 4000K, CRI>80
<b>Luminaire efficacy:</b>	41lm/W
<b>Luminaire:</b>	8W , 325lm
<b>LED life time:</b>	> 60000h - L80 - B20 (Ta 25°C)
<b>High colour consistency:</b>	< 3 SDCM
<b>Power supply:</b>	220-240V 50/60Hz
<b>Wiring:</b>	ON/OFF
<b>Optics:</b>	asymmetric lmax=23°
<b>Color:</b>	Aluminium - 21
<b>Weight:</b>	1.82 kg
<b>Size:</b>	A: 127mm B: 121mm C: 110mm

CE

IP65

IK09



## Appliance

- Shatterproof body made of fiber glass reinforced engineering plastic.
- Die-cast aluminium (EN 47100) or AISI 316L stainless steel trim or louvre.
- Double layer polyester powder paint resistant to corrosion and salt spray fog.
- Silicone rubber gaskets.
- AISI 316 stainless steel external screws.
- Ribbed and internally frosted polycarbonate screen to reduce glare, smooth outside surface to ease cleaning.
- High quality LED sources characterized according to IES TM-30, with high color consistency <3SDCM and long useful life >60000 hours at L80.

## Installation

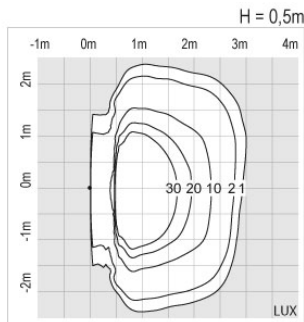
- Recessed installation.
- Double waterproof grommet for through wiring.
- Supplied with recessed installation box made of engineering plastic.

## Note

- Available versions with Casambi and other modern control systems, for more information see "Light controls" section.

## Norm

- It complies with standards EN 60598-1 and EN 60598-2-2.



# RENIO

full light - aluminium trim



Arcluce Code           **0575014A-840-21**

Ex Code

Code EAN               **8054378325397**



## Specifications

The recessed wall luminaire with high visual comfort  
Shatterproof body made of fiber glass reinforced engineering plastic. Die-cast aluminium (EN 47100) or AISI 316L stainless steel trim or louvre. Double layer polyester powder paint resistant to corrosion and salt spray fog. Silicone rubber gaskets. AISI 316 stainless steel external screws. Ribbed and internally frosted polycarbonate screen to reduce glare, smooth outside surface to ease cleaning. High quality LED sources characterized according to IES TM-30, with high color consistency <3SDCM and long useful life >60000 hours at L80.

It complies with standards EN 60598-1 and EN 60598-2-2.

LED sources available in color temperatures 4000K

High color consistency < 3 SDCM and LED life time > 60000h - L80 - B20 (Ta 25°C).

System effectiveness, minimum 41lm/W

Luminaire in insulation class I.

DRIVER INCLUDED.

Recessed installation. Double waterproof grommet for through wiring. Supplied with recessed installation box made of engineering plastic.

Available versions with Casambi and other modern control systems, for more information see "Light controls" section.

Brand ARCLUCE mod. RENIO