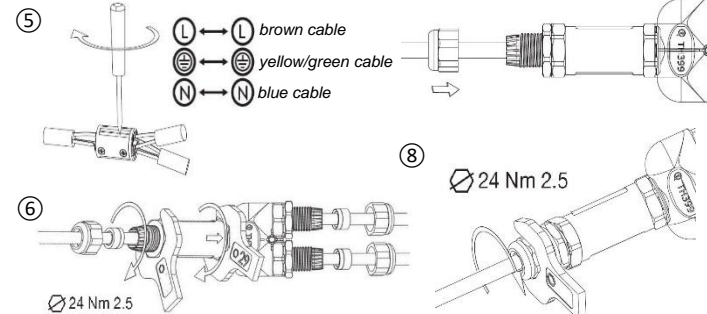
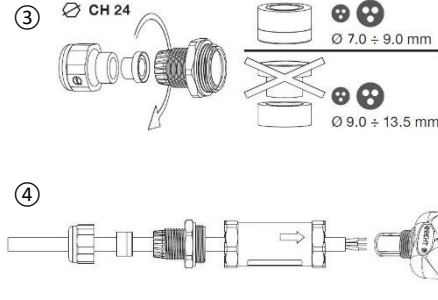
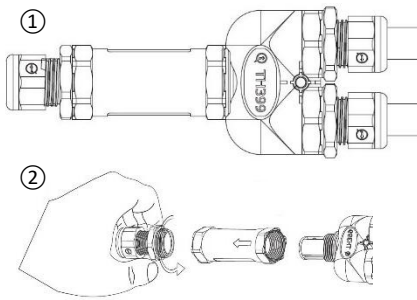


Arianna Petrarca 2.0 LED Floodlight Installation Instructions (Remote Driver)

Advanced Lighting Technologies Australia, Inc. | 110 Lewis Road Wantina South VIC 3152 | www.adlt.com.au
IIS088 - ADLT Revision Date: 14 12 2023 | Remote Driver Instructions: (S-+050034SMS - rev. 4 - 21/04/2023)

IP66 METAL PLATE - 3-WAY CONNECTION - PETRARCA modules → DRIVER and DRIVER → Grid. **NOTE: A 2.5m² H07RN-F or H05RN-F cable (or equivalent) should be used. Flat cables are not acceptable.**
Use a 2.5m² H05RN-F or H07RN-F cable as power cable. Wire the power cable into the free terminals of the 3-way connector (the connector can be removed for easier installation).

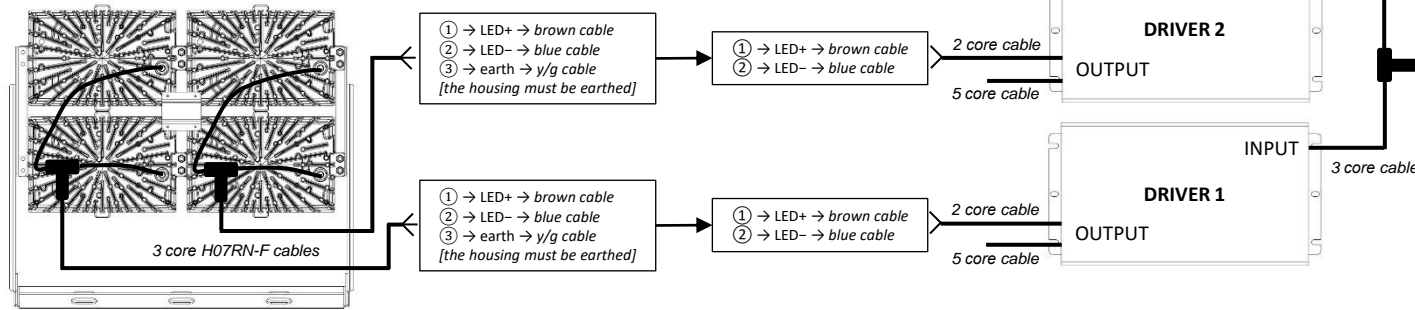
CLASS I	BROWN-PHASE	L
	YIG-GROUND	N
	BLUE-NEUTRAL	N
	A	B
A	MAX 22 mm	
B	8 mm	
C	MIN 1.5 mm ² MAX 2.5 mm ² Refer to local requirements	
D	7-13.5 mm	



PETRARCA modules → DRIVER

DRIVER → grid

NOTE: The maximum recommended distance from driver to light engine is 50 meters.
Voltage drop will occur at this distance and should be considered as part of the installation process.

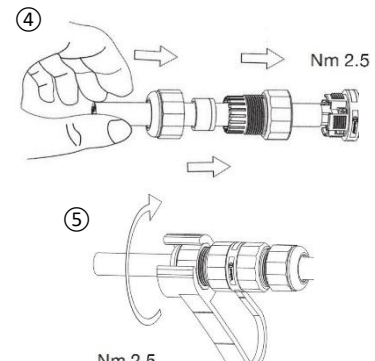
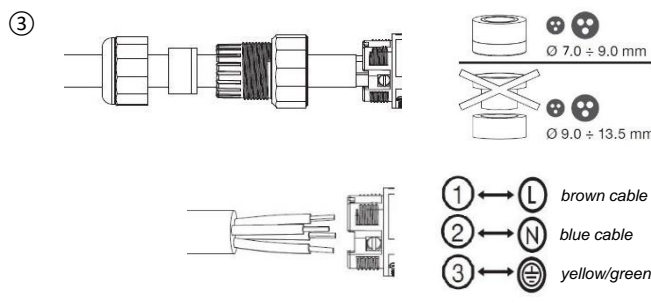
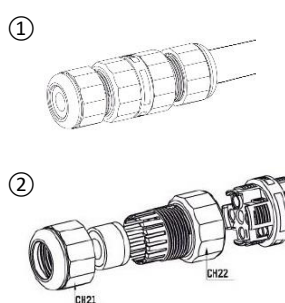


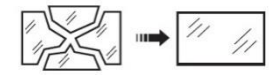
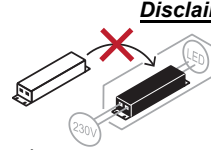
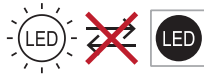
Legend:

- 3-way connector
- 2-way connector

IP66 METAL PLATE - 2-WAY CONNECTION - PETRARCA modules → DRIVER. **NOTE: A 2.5m² H07RN-F or H05RN-F cable (or equivalent) should be used. Flat cables are not acceptable.**
Use a 2.5m² H05RN-F or H07RN-F cable as power cable. Wire the power cable into the free terminals of the 2-way connector (the connector can be removed for easier installation).

CLASS I	BROWN-PHASE	L
	YIG-GROUND	N
	BLUE-NEUTRAL	N
	A	B
A	MAX 19 mm	
B	6 mm	
C	MIN 1.5 mm ² MAX 4 mm ² Refer to local requirements	
D	7-13.5 mm	





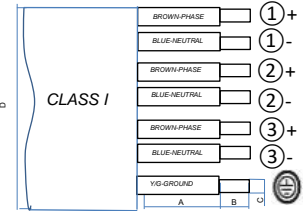
Disclaimer: The design features and layout drawings are subject to change without notice.

Arianna Petrarca 2.0 LED Floodlight Installation Instructions (Remote Driver)

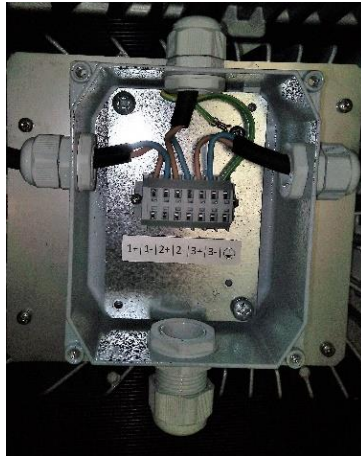
Advanced Lighting Technologies Australia, Inc. | 110 Lewis Road Wantina South VIC 3152 | www.adlt.com.au
IIS088 - ADLT Revision Date: 14 12 2023 | Remote Driver Instructions: (S-+050034SMS - rev. 4 - 21/04/2023)

IP66/IP20 METAL PLATE JUNCTION BOX → DRIVER PLATE connection

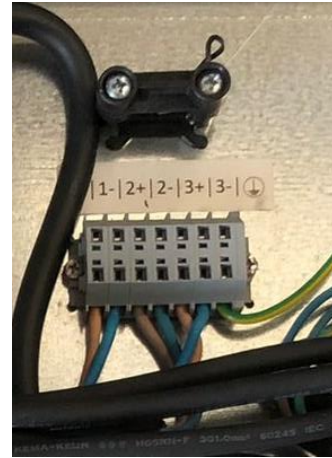
Use your own 7 core cable (with 3 drivers) / 5 core cable (with 2 drivers) / 3 core cable (with 1 driver). Wire the cables into the free terminals, follow the reported numbering:



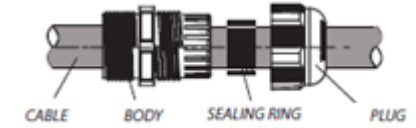
① Open the junction box



② Connect the cables to the terminal board belonging to the driver plate



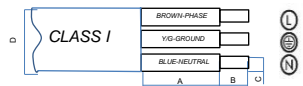
③ Close the cable gland and close the junction box



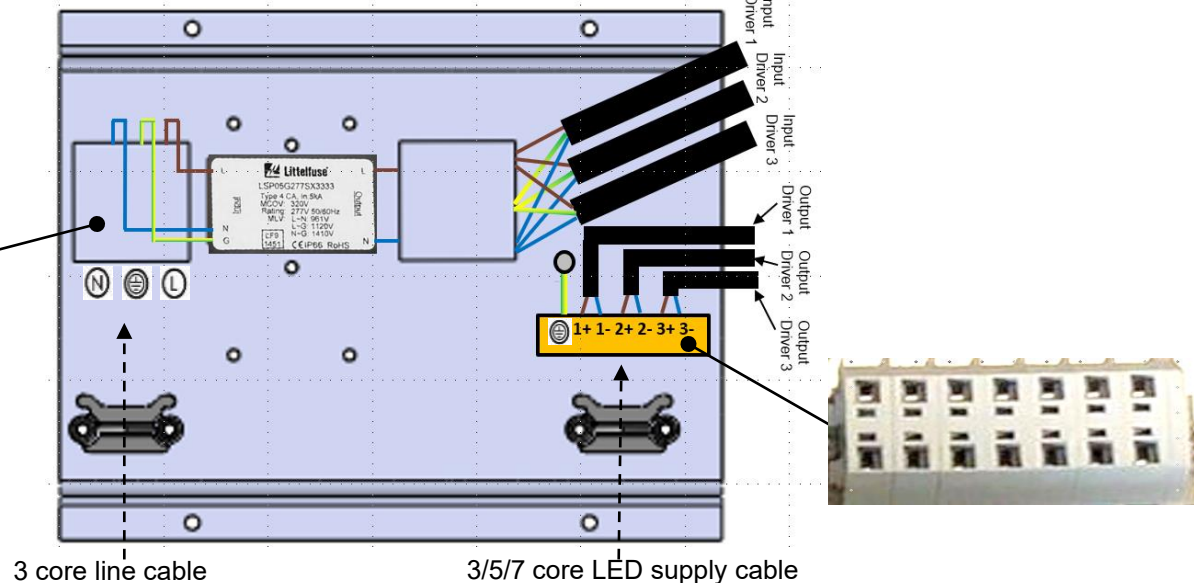
A	MAX 22 mm
B	8 mm
C	MIN 1.5 mm ² MAX 2.5 mm ² Refer to local requirements
D	10-17 mm

THREAD	UL 514 B	
	Nm	in-lbs
M 12x1.5	2,7	23,7
M 16x1.5	5	44
M 20x1.5	7	61,6
M 25x1.5	7,5	66
M 32x1.5	8	71
M 40x1.5	8	71
M 50x1.5	15	132
M 63x1.5	10	89

Connection: DRIVER PLATE → GRID Use your own 3 core cable. Wire the cables into the free terminals, follow the reported symbols:

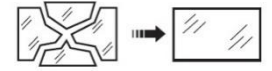
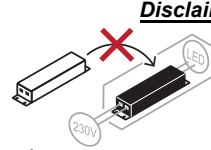
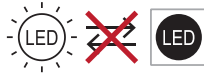


A	MAX 19 mm
B	6 mm
C	MIN 1.5 mm ² MAX 4 mm ² Refer to local requirements
D	7-13.5 mm



3 core line cable

3/5/7 core LED supply cable

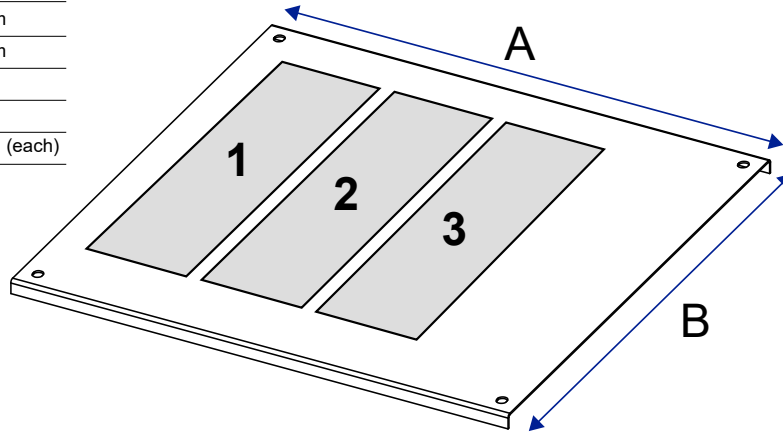


Arianna Petrarca 2.0 LED Floodlight Installation Instructions (Remote Driver)

STANDARD REMOTE GEAR PLATE - PETRARCA 6 MODULE / 3 x 480W DRIVER CONFIGURATION

NOTE: Indicative only. Actual gear plate dimensions, weight & layout may change depending on driver configuration or project conditions. Cables and other components not included in weights.

A	500mm
B	280mm
Plate Weight	1.2kg
No. Of Drivers	3
Driver Weight	2,650g (each)



STANDARD REMOTE GEAR PLATE - PETRARCA 4 MODULE / 2 x 480W DRIVER CONFIGURATION

NOTE: Indicative only. Actual gear plate dimensions, weight & layout may change depending on driver configuration or project conditions. Cables and other components not included in weights.

A	450mm
B	450mm
Plate Weight	2kg
No. Of Drivers	2
Driver Weight	2,650g (each)

