

IDL Series

DL9 - LED Downlight



CREE LIGHTING

Product Description

The DL9 downlight of the new IDL series is an unrivalled combination of light quality and efficiency, bringing exceptional performance and value. Available in warm colour temperature (3000K), or natural colour temperature (4000K) and with DALI dimming functions, it can be easily installed in ceiling openings with a diameter of 110mm. Thanks to a wide choice of options and accessories it is flexible to every need.

Applications: Residential and commercial applications, offices, schools.

Performance Summary

Wide range of options

CRI 90

Efficacy: up to 111 lm/W

Limited Warranty: 5 years



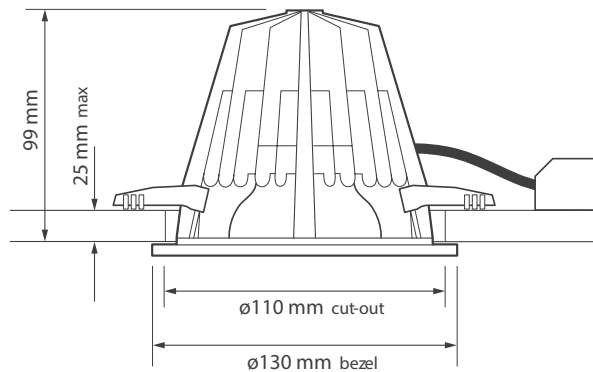
Ordering Information

EX: DL9-A-1S-1L-308-24-WH-FX

DL9	- A	- 1S	- 1L	- 409	- 24	- WH	- FX
Product	Version	Size	Lumen Package	CCT	Voltage	Bezel Color	Control Option
DL9 IDL Series	- A	- 1S D. 130mm	- 1L 7W	- 309 30K 90CRI	- 24 220-240V	- WH White	- FX ON - OFF
			- 2L 12W	- 409 40K 90CRI		- BK Black	- DL DALI
			- 3L 18W			- BA Painted Aluminum	
			- 4L 27W				

ACCESSORY INFORMATION

1S	IP54 Clear glass	IDL-1S-54
----	------------------	-----------



IDL Series

DL9 - LED Downlight



CREE LIGHTING

FEATURES

- LED Lumen output: Up to 2587lm
- LED module efficacy: up to 111lm/W
- Luminaire efficacy: up to 111lm/W
- CRI 90
- CCT: 3000K, 4000K
- Protection Degree: IP20/IK04
- MacAdam steps: 3 SDCM
- Operative temperature: -25°C up to +35°C
- Insulation class: Class II
- Mounting Options: Recessed
- Expected Lifetime: L80B10 Up to > 50.000 hrs
- Overvoltage protection: 1kV DM / 2kV CM
- UGR value: From 16 to 19

CONSTRUCTION AND MATERIALS

- Durable aluminum housing protects the light source.
- Reflective aluminium optics
- Easy to install Bezel

WARRANTY AND CERTIFICATIONS

- Limited Warranty: 5 years
- Risk group exempt
- Compliant to: EN 60598-1; EN 60598-2-2; EN 61000-4-5 and EN 61547

ELECTRICAL DATA*

Input Power Designator	System Watts	Total Current	Power Factor
		@230V, 50Hz	
1L	7W	0.03A	0,9
2L	12W	0.05A	0,9
3L	18W	0.08A	0,9
4L	27W	0.12A	0,9

* Electrical data at 25°C (77°F)

PRODUCT WEIGHT

1S	0.6 kg
----	--------

IDL Series

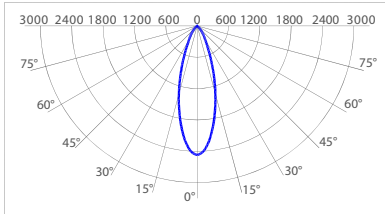
DL9 - LED Downlight



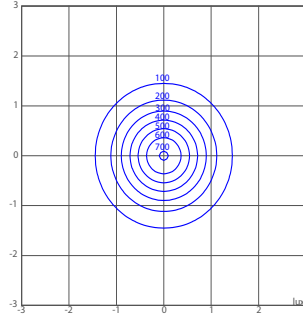
Photometry

All published luminaire photometric testing performed to IESNA LM-79-08 standards by an external laboratory. To obtain an IES file specific to your project consult: www.creelighting-europe.com.

40° - SPECULAR



cd/klm
— C0 - C180 — C90 - C270



DL9-A-1S-1L-409
Mounting Height: 3m

LUMEN OUTPUT -40°		
Input Power Designator	3000K	4000K
	Initial Delivered Lumens*	Initial Delivered Lumens*
1L	622	669
2L	1139	1227
3L	1777	1915
4L	2401	2587

* Initial delivered lumens at 25°C (77°F). Actual production yield may vary between -4 and +10% of initial delivered lumens