

# CREE IDL SERIES

LED DOWNLIGHT



**CREE** LIGHTING



## MODERN INNOVATION, TIMELESS AESTHETICS.

### BEST IN CLASS PERFORMANCE. UNMATCHED VALUE

The IDL Series downlight is an unparalleled combination of light quality and efficacy—bringing outstanding performance and add value to the retrofit downlight space. The new IDL Serie deliver up to 5000 lumens of exceptional and reaching up to 90 CRI. This is a breakthrough performance combines high efficacy and high-quality light with several lumen packages and a variety of size and bezel options.

### MULTIPLE FINISHES

IDL downlight bezels are designed for easy snap-in attachment and are available in a variety of colours to enhance the aesthetics without compromising the light output of the fixture.

### EXCEPTIONAL LOOK & FEEL

IDL downlights blend beauty and performance with the same superior light quality as traditional fixtures but at a fraction of the energy used. With a wide variety of configurations, the IDL downlights are ideal for all recessed lighting applications—from new construction to retrofit and commercial to residential settings.

# COMPLETE RANGE

The Series is available in two sizes optimizing lumen outputs according to the effective project needs. IDL downlights guarantee a unique aesthetic approach with an absolute care of details; reduced flat trim edge, wide specular reflector and best in class LED Technology.



# TRUE COLOR MATTERS

Color is a powerful element in every space. It establishes the tone and personality of our homes and businesses space. It not only shapes our moods, it can influence our buying decisions and enhance our ability to learn and interact. Consumers are naturally drawn to rich colors. Vibrant shades of fruit and produce reveal their freshness. Our own natural skin tones reveal our health and facilitate better human interaction. Colorful settings appeal to our senses, engaging students, shoppers, and employees alike.



## Remarkably Simple Retrofit for Multiple Installations.

Cree Lighting unveils the new IDL Series, a range of downlights designed for both residential and commercial markets with increased effectiveness, lumen output and a high colour rendering index.

### PERFORMANCE SUMMARY

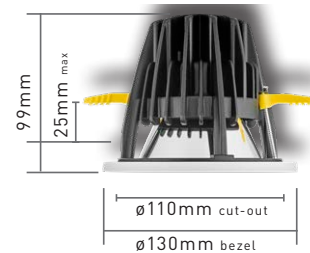
- **Efficacy:** Up to 131 lm/W
- **CRI:** 3000K, 4000K (CRI 80) - 3000K, 4000K (CRI 90)
- **Quality of Light:** UGR < 19
- **Voltage:** 220 - 240V
- **Control Option:** On-Off /DALI
- **Accessory:** IP54 clear glass
- **Optic Selection:** 210 - 2SH
- **Mounting:** Recessed
- **Operative temperature:** -25°C up to +35°C
- **Limited Warranty:** 5 years
- **CE Mark**

### CONSTRUCTION AND MATERIALS

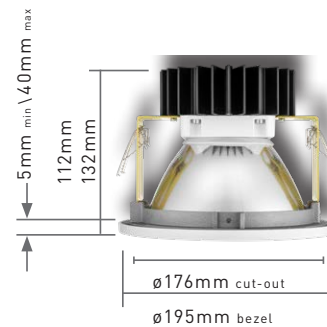
- Durable aluminum housing protects the light source
- Reflective aluminium optics
- Easy to install Bezel

### DIMENSIONS

**DL8 - S1**  
**DL9 - S1**



**DL8 - S2**

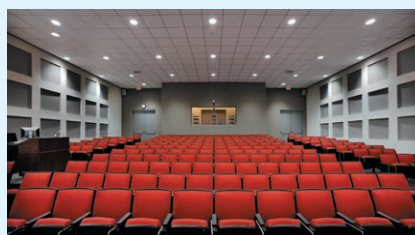


## APPLICATIONS



### Commercial offices

An office with a professional and comfortable setting provides the right environment to motivate and uplift employees. Interior luminaires powered by Cree Lighting, deliver a powerful combination of uniform light distribution with low glare and high color rendering.



### Education

Cree lighting provides exceptional clarity and consistent full-spectrum lighting without glare to help minimize fatigue, encourage alertness and help students read and take notes with ease.



### Healthcare

Soft, balanced lighting fosters a restful treatment and recovery environment. Efficient, dimmable and available in a variety of colors, IDL by Cree lighting produces a relaxing environment with quiet ceilings that provide a calm, soothing atmosphere for both patients and families.