

IWT Series

IWT - Integrated Waterproof



CREE LIGHTING

Product Description

The new Cree lighting weatherproof luminaire IWT is the best option for customized solutions. It offers a bright overall light enabling less wattage and maintenance by also offering increased impact and chemical resistance for multiple industrial lighting applications where damp and dust protection is needed. Thanks to product options such as high impact resistance IK10 diffuser, through wiring, DALI dimming, occupancy sensor, it fulfills all your requirements for a flexible, strong and powerful luminaire.

Applications: Warehouses, car parks, workshops, garages, factory, corridor, food industry



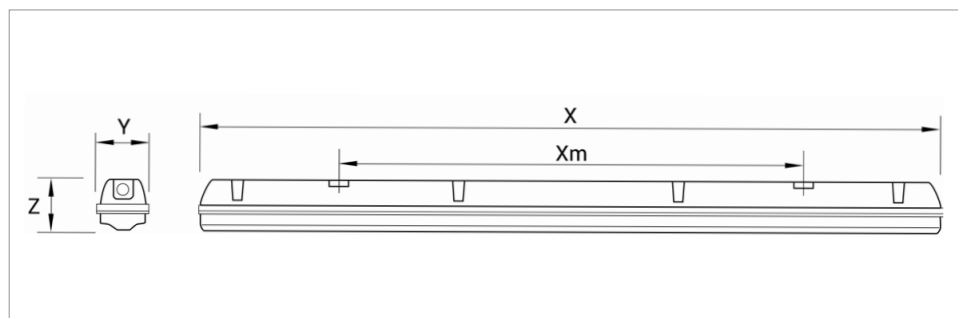
Ordering Information

Example: IWT-A-CL-5L-308-24-FX-S

IWT	- A	- CL	- 5L	- 308	- 24	- FX	- S	-
Product	Version	Mounting Options	Lumen Package	CCT	Voltage	Control Options	Variant	Accessory
IWT Integrated Waterproof	- A	- CL Ceiling Installation	- 5L 28W 7L 42W	- 308 3000K 80CRI 408 4000K 80CRI	- 24 220-240V	- FX ON-OFF DL DALI	S Standard TW Through wiring	No Code Standard SS Sensor 10 IK10 Diffuser SS10 Sensor+IK10

MOUNTING ACCESSORIES	
Suspend Installation Kit	IWT-SP
IR remote controller	IWT-CNT

DIMENSIONS				
	X	XM	Y	Z
5L	1277 mm	800 mm	101 mm	84 mm
7L	1573 mm	1100 mm	101 mm	84 mm



IWT Series

IWT - Integrated Waterproof



CREE LIGHTING

FEATURES

- Lumen output: Up to 6000lm
- System efficacy: Up to 145 lm/W
- Protection Degree: IP66 / IK08\K10 Available
- CRI 80
- CCT: 3000K, 4000K, 6500K(on request)
- UGR < 25
- Initial Colour Consistency: < 3 steps MacAdam
- Operative temperature: -25°C up to +40°C
- Insulation class: Class I
- Expected Lifetime (Ta=25°): L80B10 Up to >100,000hrs ; L97 up to 20.000 hrs

CONSTRUCTION AND MATERIALS

- Injected polycarbonate housing with UV protection
- Internal diffuser to avoid direct contact with LED module.
- Polyurethane continuous gasket.
- Flicker-free for a high-quality lighting.
- Unremovable stainless steel or plastic closing clips for enhanced safety
- Housing: Injected polycarbonate with UV protection, grey RAL 7035
- Diffuser: Injected polycarbonate with UV protection and frosted finish

WARRANTY AND CERTIFICATIONS

- Warranty: 5 years
- Fire protection: Flammability (UL94): V2 Glow wire test (EN 60695-2-11): 850
- Approved for the food industry (according to HACCP specifications)
- Risk group exempt
- Compliant to: EN 60598-1; EN 60598-2-2

ELECTRICAL DATA*

Dimensions	System Watts 220-240V	Total Current
		@230V, 50Hz
1200mm	28W	0,14A
1500mm	42W	0,20A

* Electrical data at 25°C (77°F)

WEIGHT

DIMENSIONS	WEIGHT
1200mm	1.8Kg
1500mm	2.3Kg

IWT Series

IWT - Integrated Waterproof

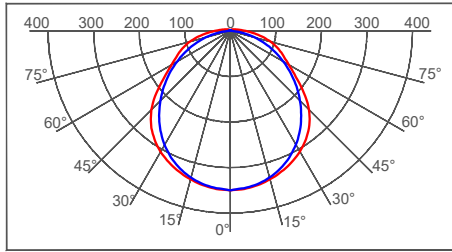


CREE LIGHTING

Photometry

To obtain an IES file specific to your project consult: www.creelighting-europe.com

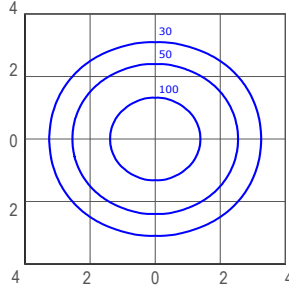
5L



cd/klm

— C0 - C180 — C90 - C270

Test Report: 219208b



lux

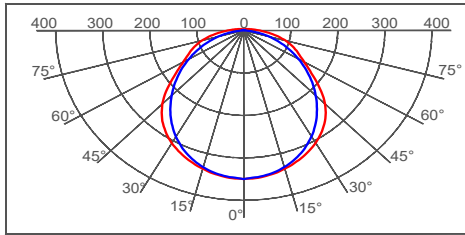
IWT-A-CL-5L-408

Ceiling Height: 3m

LUMEN OUTPUT		
Input Power Designator	3000K	4000K
	5L	Initial Delivered Lumens* 4000

* Initial delivered lumens at 25°C (77°F).
Actual production yield may vary between -4 and +10% of initial delivered lumens

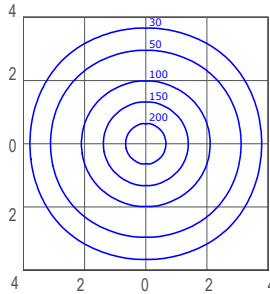
7L



cd/klm

— C0 - C180 — C90 - C270

Test Report: 219208b



lux

IWT-A-CL-7L-408

Ceiling Height: 3m

LUMEN OUTPUT		
Input Power Designator	3000K	4000K
	7L	Initial Delivered Lumens* 6000

* Initial delivered lumens at 25°C (77°F).
Actual production yield may vary between -4 and +10% of initial delivered lumens