

Product Description

INDUSTRIA is an all-new modular LED High-Bay system built for today's industrial environments. The family responds to market demands with great attention: It comes in 3 sizes, 6 lumen packages, 4 light distributions, multiple colour temperatures and mounting kits making it suitable for thousands of possible configurations that can satisfy even the most demanding project requirements.

Applications: Industrial, sport, warehouse, retail and food industry.

Performance Summary

Integrated Precision Optics available in four distributions (55°; 75°; 90°; HR)

IP Rating: IP66 **IK Rating:** IK08

Efficacy: up to 170 lm/W

Limited Warranty: 5 years

Extended warranty (up to 10 years) may be available on approved projects. Contact ADLT for further information.



Ordering information

Eg: INDA-N-55-15L-408-+-A-SG-FX-S-S-02

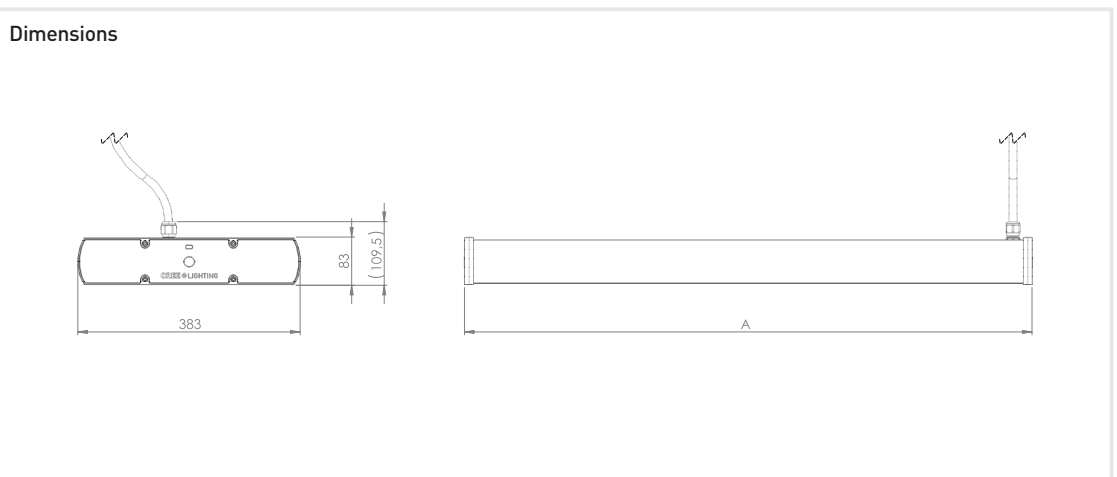
INDA	- N	- 55	- 15L	- 408	- +	- A	- SG	- FX	- S	- S	- 02
Product	Mounting Options	Optic	Lumen Package	CCT	Insulation Class	Voltage	Finish	Option	Variant	Protection	Cable length
INDA INDUSTRIA Linear High Bay	N* NO MOUNT	55 MEDIUM BEAM 55D	15L SMALL	308** 30K 80CRI	+ Class 1	A 220-240V	SG SAPPHIRE GREY	FX FIXED OUTPUT	S NO SENSOR	S BY DRIVER	02 Exit cable 2 m
		75 MEDIUM BEAM 75D	20L SMALL	408 40K 80CRI				DL DALI	M*** MOTION/AMBIENT SENSOR	U 10kV	
		90 WIDE BEAM 90D	29L MEDIUM	409** 40K 90CRI							
		HR HIGH RACK 30X70D	34L MEDIUM	508 50K 80CRI							
			44L LARGE	509** 50K 90CRI							
			51L LARGE								

*To be selected from those available in the table **MOUNTING OPTION**

** On request

***Must be ordered with DL option

DIMENSIONS	
VERSION	DIMENSION "A"
2 BOARDS	417 mm
4 BOARDS	657 mm
6 BOARDS	977 mm



FEATURES

- LED Lumen output: 15050-52670lm
- LED module efficiency: ≥ 185 lm/W
- Luminaire efficiency: up to 170 lm/W
- MacAdam Step: ≤ 3 -Step
- CCT: 4000K, 5000K Ra80 (Ra90 on request)
- Input Voltage: 220-240V
- Overvoltage protection: 6kV CM / DM
- Operative temperature: -40°C up to $+50^{\circ}\text{C}$
- Available with High Temperature configurations for up to $T_a \geq 70^{\circ}\text{C}$
- Insulation class: Class I
- Degree of Protection: IP66\IK08
- Control options: DALI 2.0 ,Full Programmable Ambient/ Motion Sensor
- UGR max value: ≤ 22 per lens 75, 55 & HR, ≤ 25 per lens 90
- Expected Lifetime ($T_a=50^{\circ}\text{C}$): L90B10 > 60.000 hours
- Expected Lifetime ($T_a=50^{\circ}\text{C}$): L80B10 > 122.000 hrs
- Driver equipped with over-temperature protection for optimal performance and safety
- Stand-alone emergency light unit IP65 200 lm 3 hours available as accessory

CONSTRUCTION AND MATERIALS

- Extruded Anodized aluminium with die-cast Aluminium end caps
- Glass-free optical system
- Ultra-clear Replaceable high efficacy lens
- Replaceable LED board equipped with ESD protection
- Mounting Option: Eye Bolt, Wire Suspension, Busbar, Adjustable Brackets (Surface and Wall)
- Dust covers available as accessory
- Cable type H07RN-F (standard Cable length 2 m)
- Easy installation
- Practicality in ordinary and extraordinary maintenance
- Luminaire is, completely disassemblable and recyclable
- Suitable for food industry applications

WARRANTY AND CERTIFICATIONS

- Limited Warranty: 5 years
- CE Mark / RoHS Compliant / RCM mark (Supplied on request) / CB Mark / D Mark / ENEC mark, Impact Ball
- Risk group exempt
- Compliant to: EN 60598-1; EN 60598-2-1
- Energy labels are available for download in the certifications section of the product page

ELECTRICAL DATA*

Input Power Designator	System Watts	Total Current	Power Factor
		@230V, 50Hz	
15L SMALL	84W	0.38 A	0.98
20L SMALL	114W	0.51 A	0.98
29L MEDIUM	166W	0.75 A	0.98
34L MEDIUM	191W	0.86 A	0.98
44L LARGE	247W	1.08 A	0.98
51L LARGE	290W	1.28 A	0.98

* Electrical data at 25°C (77°F)

MOUNTING OPTION

Standard Mounting (2 pieces)	IND-EY
Busbar*	IND-BB
Wire Suspension*	IND-SP
Surface Adjustable Bracket	IND-SB
Wall and Surface Adjustable Bracket	IND-WB

*To be ordered together to complete assembly

ACCESSORIES

Dust Cover 15L-20L	IND-DC-S
Dust Cover 29L-34L	IND-DC-M
Dust Cover 44L-51L	IND-DC-L
Safety Rope 1,5 m	IND-SR
EMERGENCY KIT	
Emergency Kit	IND-EM
Mounting Bracket Kit	ND-EM-BR

PRODUCT WEIGHT

15L / 20L SMALL	9Kg
29L / 34L MEDIUM	13Kg
44L / 51L LARGE	17.5Kg

Control Options (optics 55-75-90-HR)

FIXED OUTPUT				
Setting Code	System Watt	Nominal Flux (lm)		Description
		4000K Ra80	5000K Ra80	
LUMEN PACKAGE 15L SMALL				
FX15ATSA0-S002	84W	15270	15270	FIXED OUTPUT 84W
LUMEN PACKAGE 20L SMALL				
FX15ATSA0-S003*	57W	10033	10033	FIXED OUTPUT 57W
FX15ATSA0-S001	114W	20066	20066	FIXED OUTPUT 114W
LUMEN PACKAGE 29L MEDIUM				
FX15BHSA0-S002	166W	30539	30539	FIXED OUTPUT 166W
LUMEN PACKAGE 34L MEDIUM				
FX15BHSA0-S003*	152W	28092	28092	FIXED OUTPUT 152W
FX15BHSA0-S001	191W	35367	35367	FIXED OUTPUT 191W
LUMEN PACKAGE 44L LARGE				
FX15BRSA0-S001	247W	45809	45809	FIXED OUTPUT 247W
LUMEN PACKAGE 51L LARGE				
FX15BYS00-S002*	230W	42138	42138	FIXED OUTPUT 230W
FX15BRSA0-S001	290W	53050	53050	FIXED OUTPUT 290W

DALI				
Setting Code	System Watt	Nominal Flux (lm)		Description
		4000K Ra80	5000K Ra80	
LUMEN PACKAGE 15L SMALL				
DL15ATSA0-S002	84W	15270	15270	DALI MAX 84W SR
LUMEN PACKAGE 20L SMALL				
DL15ATSA0-S001	114W	20066	20066	DALI MAX 114W SR
LUMEN PACKAGE 29L MEDIUM				
DL15BHSA0-S002	166W	30539	30539	DALI MAX 166W SR
LUMEN PACKAGE 34L MEDIUM				
DL15BHSA0-S003*	74W	17199	17199	DALI MAX 74W SR
DL15BHSA0-S001	191W	35367	35367	DALI MAX 191W SR
LUMEN PACKAGE 44L LARGE				
DL15BRSA0-S001	247W	45809	45809	DALI MAX 247W SR
LUMEN PACKAGE 51L LARGE				
DL15BYS00-S002*	131W	30098	30098	DALI MAX 131W SR
DL15BYS00-S001	290W	53050	53050	DALI MAX 290W SR

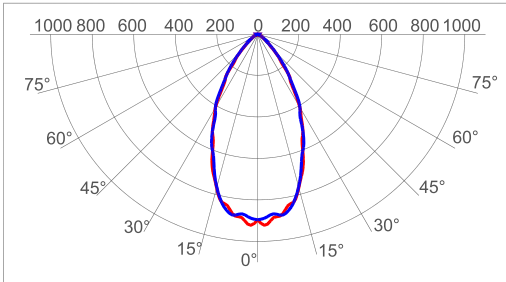
*Choose this program for High Environmental Temperatures up to 70°C

Photometry

All published luminaire photometric testing performed to IESNA LM-79-08 standards by an external laboratory.

To obtain an IES file specific to your project consult: www.creelighting-europe.com. To obtain product-related flows, with reflector, please contact Cree Lighting Europe.

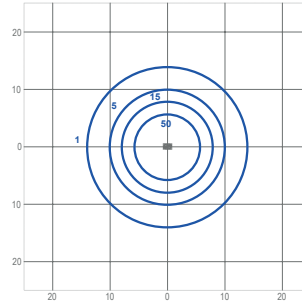
55 -MEDIUM BEAM



cd/klm

— C0 - C180

— C90 - C270



lux

INDA-N-55-408

Mounting Height: 8m

LUMEN OUTPUT - 55 MEDIUM BEAM

Lumen Package	4000K Ra80	5000K Ra80
	Initial Delivered Lumens*	Initial Delivered Lumens*
15L SMALL	14048	14048
20L SMALL	18460	18460
29L MEDIUM	28096	28096
34L MEDIUM	32537	32537
44L LARGE	42144	42144
51L LARGE	48806	48806

* Initial delivered lumens at 25°C (77°F). Actual production yield may vary between -4 and +10% of initial delivered lumens

LUMEN OUTPUT - 55 MEDIUM BEAM (Up to 70°C)

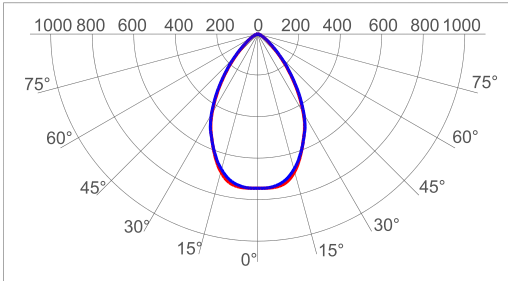
VARIANT/SIZE	4000K Ra80	5000K Ra80
	Initial Delivered Lumens	Initial Delivered Lumens
FX SMALL	9230	9230
FX MEDIUM	25845	25845
FX LARGE	38767	38767
DL MEDIUM	15823	15823
DL LARGE	27690	27690

Photometry

All published luminaire photometric testing performed to IESNA LM-79-08 standards by an external laboratory.

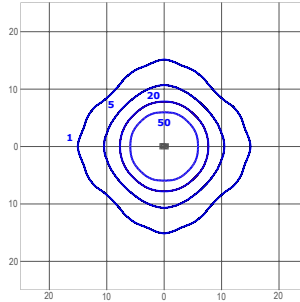
To obtain an IES file specific to your project consult: www.creelighting-europe.com. To obtain product-related flows, with reflector, please contact Cree Lighting Europe.

75° - MEDIUM BEAM



cd/klm

— C0 - C180 — C90 - C270



lux

INDA-N-75-408
Mounting Height: 8m

LUMEN OUTPUT - 75 MEDIUM BEAM

Lumen Package	4000K Ra80	5000K Ra80
	Initial Delivered Lumens*	Initial Delivered Lumens*
15L SMALL	14110	14110
20L SMALL	18541	18541
29L MEDIUM	28219	28219
34L MEDIUM	32680	32680
44L LARGE	42329	42329
51L LARGE	49020	49020

* Initial delivered lumens at 25°C (77°F). Actual production yield may vary between -4 and +10% of initial delivered lumens

LUMEN OUTPUT - 75 MEDIUM BEAM (Up to 70°C)

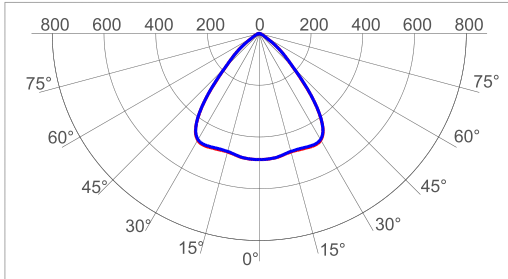
VARIANT/SIZE	4000K Ra80	5000K Ra80
	Initial Delivered Lumens	Initial Delivered Lumens
FX SMALL	9271	9271
FX MEDIUM	25958	25958
FX LARGE	38936	38936
DL MEDIUM	15892	15892
DL LARGE	27811	27811

Photometry

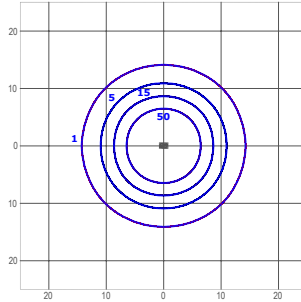
All published luminaire photometric testing performed to IESNA LM-79-08 standards by an external laboratory.

To obtain an IES file specific to your project consult: www.creelighting-europe.com. To obtain product-related flows, with reflector, please contact Cree Lighting Europe.

90 - WIDE BEAM



cd/klm
— C0 - C180 — C90 - C270



lux
 INDA-N-90-408
 Mounting Height: 8m

LUMEN OUTPUT - 90 WIDE BEAM

Lumen Package	4000K Ra80	5000K Ra80
	Initial Delivered Lumens*	Initial Delivered Lumens*
15L SMALL	13985	13985
20L SMALL	18378	18378
29L MEDIUM	27971	27971
34L MEDIUM	32392	32392
44L LARGE	41956	41956
51L LARGE	48589	48589

* Initial delivered lumens at 25°C (77°F). Actual production yield may vary between -4 and +10% of initial delivered lumens

LUMEN OUTPUT - 90 WIDE BEAM (Up to 70°C)

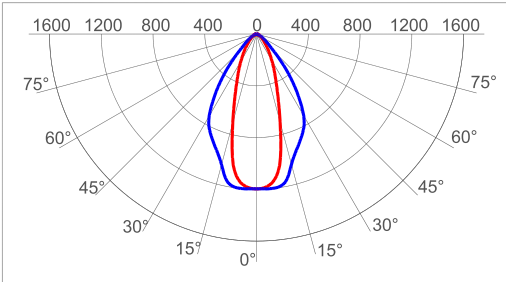
VARIANT/SIZE	4000K Ra80	5000K Ra80
	Initial Delivered Lumens	Initial Delivered Lumens
FX SMALL	9189	9189
FX MEDIUM	25729	25729
FX LARGE	38594	38594
DL MEDIUM	15753	15753
DL LARGE	27567	27567

Photometry

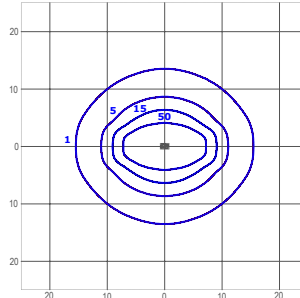
All published luminaire photometric testing performed to IESNA LM-79-08 standards by an external laboratory.

To obtain an IES file specific to your project consult: www.creelighting-europe.com. To obtain product-related flows, with reflector, please contact Cree Lighting Europe.

HR - HIGH RACK



cd/klm
— C0 - C180 — C90 - C270



lux
INDA-N-HR-408
Mounting Height: 8m

LUMEN OUTPUT - HR HIGH RACK

Lumen Package	4000K Ra80	5000K Ra80
	Initial Delivered Lumens*	Initial Delivered Lumens*
15L SMALL	14615	14615
20L SMALL	19205	19205
29L MEDIUM	29230	29230
34L MEDIUM	33850	33850
44L LARGE	43844	43844
51L LARGE	50775	50775

* Initial delivered lumens at 25°C (77°F). Actual production yield may vary between -4 and +10% of initial delivered lumens

LUMEN OUTPUT - HR HIGH RACK (Up to 70°C)

VARIANT/SIZE	4000K Ra80	5000K Ra80
	Initial Delivered Lumens	Initial Delivered Lumens
FX SMALL	9603	9603
FX MEDIUM	26887	26887
FX LARGE	40331	40331
DL MEDIUM	16461	16461
DL LARGE	28807	28807