

LEDway® Series

Cree Ledway® Road - Street Light - Adjustable Arm Mount



CREE LIGHTING

Product Description

Luminaire housing is all aluminum construction. All components are mercury free and recyclable. Sharp profile for low wind exposure. Toolless entry. Provided with a tenon mounting system that allows for direct arm or pole-top installation (90°) on cylindrical poles and arms with a diameter of 60mm. The adjustable bracket allows the fixture to be tilted by increments of 5° in order to maintain a horizontal position with respect to the ground, making it ideal for retrofit installations as well.

Applications: industrial installations, forecourt canopies, parking and tunnel lighting, streetlighting.



Performance Summary

Efficacy: up to 134 lm/W

Initial Delivered LED Lumens: up to 17910 lm

Lifetime color consistency: 7SDCM

Limited Warranty: Class 1 - 10 years on luminaire/10 years on Colorfast DeltaGuard® finish
Class 2 - 5 years on luminaire/10 years on Colorfast DeltaGuard® finish

*Extended warranty (up to 10 years) available for Class 2 luminaires on approved projects. Contact ADLTA for further information.

Ordering Information

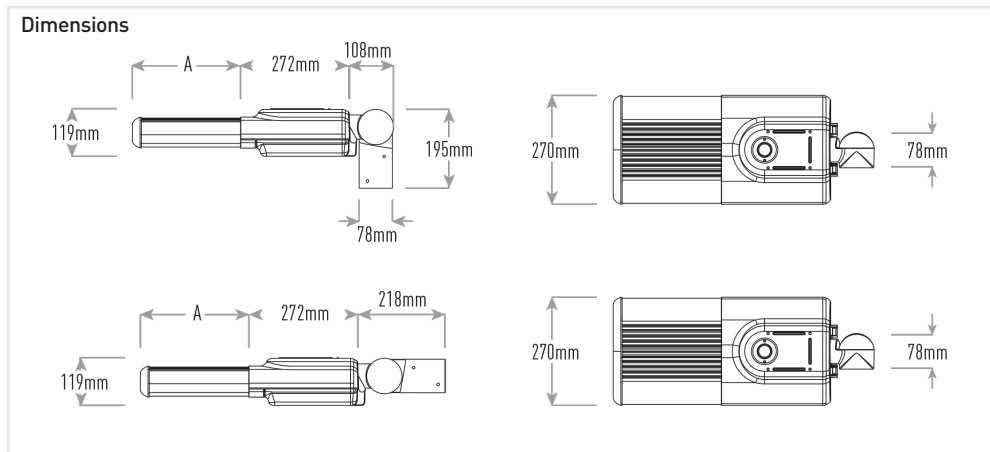
Eg: LXD-AC-7-04-F-40-S-SV+S05DSF0-FX002

LXD	- AC	- 7	- 04	- F	- 40	- S	- SV
Product	Optic	Mounting	LED Count	Version	CCT	Options	Finish
LXD Class I	AC Type IV Medium	7 Horz/Vert Tenon 60mm OD	02 20LED	F	40 4000K CRI70	S Standard Program	SV Silver
LYD Class II	TS Type II Short	8 Horz/Vert Tenon 76mm OD	03 30LED		57 5700K CRI70	D 1-10V Dimming	BK Black
	QV Type V Medium		04 40LED		30 3000K CRI70	E Occupancy Sensor Programmable Multi Level	
	FS Petroleum Symmetric		05 50LED			C Custom Program	
			06 60LED				

LED COUNT	DIMENSION "A"	WEIGHT
20	156mm	7.52kg
30	156mm	7.92kg
40	270mm	9.22kg
50	270mm	10.52kg
60	270mm	14.72kg

HAND-HELD REMOTE	
XA-SENSREM	For a correct implementation of the multi-level programmable option, you need at least a portable remote control.

ROAD ADAPTER	
KIT ADATT. PALO 34MM	Fitter kit to mount to 34mm tenon
KIT ADATT. PALO 42MM	Fitter kit to mount to 42mm tenon
KIT ADATT. PALO 48MM	Fitter kit to mount to 48mm tenon



LEDway® Series

Cree Ledway® Road - Street Light - Adjustable Arm Mount



FEATURES

- LED Lumen output up to 17910lm
- LED module efficiency: up to 141 lm/W
- Luminaire efficiency: up to 134 lm/W
- CCT: 4000K, 5700K, 3000K (CRI Minimum 70)
- MacAdam Step: 7SDCM
- Expected Lifetime (Ta=25°) L90B10> 100.000 hours
- Degree of protection: IP66\IK08
- Overvoltage protection: up to 10kV CM/DM
- Operating temperature: -40°C up to +50°C
- Occupancy sensor option available and dimmable 1-10V
- LED Board equipped with integral ESD and Surge protection on Class II versions.

CONSTRUCTION AND MATERIALS

- Die cast aluminium housing
- Fixture assembled without the use of glues, totally dismountable and recyclable
- Adjustable mounting arm mounts to a 60mm outer dimension tenon
- Luminaire will also mount to 34-42-48mm outer dimension tenon or pole with an accessory fitter kit
- Adjustable mounting arm made of rugged die cast aluminum and mounts to a 60mm outer dimension tenon
- Cable type H07RN-F (Cable length up to 1m)

WARRANTY AND CERTIFICATIONS

- Warranty*:
 - Class 1 - 10 years on luminaire/10 years on Colorfast DeltaGuard® finish
 - Class 2 - 5 years on luminaire/10 years on Colorfast DeltaGuard® finish
- Risk group exempt
- Compliant to: EN 60598-1; EN 60598-2-3

*Extended warranty (up to 10 years) available for Class 2 luminaires on approved projects. Contact ADLTA for further information.

ELECTRICAL DATA*

Led Count	System Watts 220-240V	Total Current	Power Factor
		@230V, 50Hz	
02	49	0.22	0.9
03	70	0.31	0.9
04	91	0.40	0.9
05	112	0.50	0.9
06	132	0.58	0.9

* Electrical data at 25°C (77°F)

LMF - RECOMMENDED LUMEN MAINTENANCE FACTORS (LMF)¹

Ambient	LMF iniziale	25K hr Projected ² LMF	50K hr Projected ² LMF	75K hr Calculated ³ LMF	100K hr Calculated ³ LMF
25°C	1,00	1,00	0,98	0,95	0,93

¹ Lumen maintenance values calculated at 25° C, with TM-21 based on LM-80 data and on-site testing.

² In accordance with IESNA TM-21-11, the values shown in the "projected" column represent interpolated and arc values within six times (6X) the total duration in hours of the tests (performed according to IESNA LM-80-08) to which the device has been subjected ((DUT) e.g. the LED chip).

³ In accordance with IESNA TM-21-11, the values shown in the column "calculated" are calculated based on a time span greater than six times (6X) the total duration in hours of the tests (performed according to IESNA LM-80-08) to which the device has been subjected ((DUT) e.g. the LED chip).

LEDway® Series

Cree Ledway® Road - Street Light - Adjustable Arm Mount



Control options

FX - FIXED OUTPUT 20LED				
Setting Code	System Watts W	Nominal flux (lm)		Description
		4000K Ra70	5700K Ra70	
S05BSFO-FX002	25	3104	3022	FIXED 350MA MAX 25W
S05BSFO-FX003	30	3701	3603	FIXED 425MA MAX 30W
S05BSFO-FX004	34	4179	4068	FIXED 475MA MAX 34W
S05BSFO-FX005	37	4597	4475	FIXED 525MA MAX 37W
S05BSFO-FX006	39	4776	4649	FIXED 550MA MAX 39W
S05BSFO-FX007	40	5015	4882	FIXED 575MA MAX 40W
S05BSFO-FX008	44	5433	5288	FIXED 625MA MAX 44W
S05BSFO-FX009	45	5552	5405	FIXED 650MA MAX 45W
S05BSFO-FX010	49	5970	5811	FIXED 700MA MAX 49W

VM - VIRTUAL MIDNIGHT - 20LED							
Setting Code	W Max	Nominal flux (lm)		W Min	Nominal flux (lm)		Description
		4000K Ra70	5700K Ra70		4000K Ra70	5700K Ra70	
S05BSFO-VM001	37	4597	4475	13	1612	1569	VM ON-525MA 37W / 21:00-175MA 13W / 04:00-525MA 37W
S05BSFO-VM002	37	4597	4475	25	3104	3022	VM ON-525MA 37W / 21:00-350MA 25W / 04:00-525MA 37W
S05BSFO-VM003	25	3104	3022	13	1612	1569	VM ON-350MA 25W / 21:00-175MA 13W / 04:00-350MA 25W
S05BSFO-VM004	49	5970	5811	25	3104	3022	VM ON-700MA 49W / 21:00-350MA 25W / 04:00-700MA 49W
S05BSFO-VM005	49	5970	5811	37	4597	4475	VM ON-700MA 49W / 21:00-525MA 37W / 04:00-700MA 49W
S05BSFO-VM006	49	5970	5811	13	1612	1569	VM ON-700MA 49W / 21:00-175MA 13W / 04:00-700MA 49W

FX - FIXED OUTPUT 30LED				
Setting Code	System Watts W	Nominal flux (lm)		Description
		4000K Ra70	5700K Ra70	
S05CSFO-FX002	35	4657	4533	FIXED 350MA MAX 35W
S05CSFO-FX003	43	5552	5405	FIXED 425MA MAX 43W
S05CSFO-FX004	48	6269	6102	FIXED 475MA MAX 48W
S05CSFO-FX005	53	6895	6712	FIXED 525MA MAX 53W
S05CSFO-FX006	56	7164	6974	FIXED 550MA MAX 56W
S05CSFO-FX007	57	7522	7322	FIXED 575MA MAX 57W
S05CSFO-FX008	63	8149	7933	FIXED 625MA MAX 63W
S05CSFO-FX009	65	8328	8107	FIXED 650MA MAX 65W
S05CSFO-FX010	70	8955	8717	FIXED 700MA MAX 70W

VM - VIRTUAL MIDNIGHT - 30LED							
Setting Code	W Max	Nominal flux (lm)		W Min	Nominal flux (lm)		Description
		4000K Ra70	5700K Ra70		4000K Ra70	5700K Ra70	
S05CSFO-VM001	53	6895	6712	19	2418	2354	VM ON-525MA 53W / 21:00-175MA 19W / 04:00-525MA 53W
S05CSFO-VM002	53	6895	6712	35	4657	4533	VM ON-525MA 53W / 21:00-350MA 35W / 04:00-525MA 53W
S05CSFO-VM003	35	4657	4533	19	2418	2354	VM ON-350MA 35W / 21:00-175MA 19W / 04:00-350MA 35W
S05CSFO-VM004	70	8955	8717	35	4657	4533	VM ON-700MA 70W / 21:00-350MA 35W / 04:00-700MA 70W
S05CSFO-VM005	70	8955	8717	53	6895	6712	VM ON-700MA 70W / 21:00-525MA 53W / 04:00-700MA 70W
S05CSFO-VM006	70	8955	8717	19	2418	2354	VM ON-700MA 70W / 21:00-175MA 19W / 04:00-700MA 70W

LEDway® Series

Cree Ledway® Road - Street Light - Adjustable Arm Mount



Control options

FX - FIXED OUTPUT 40LED				
Setting Code	System Watts W	Nominal flux (lm)		Description
		4000K Ra70	5700K Ra70	
S05DSFO-FX002	46	6209	6044	FIXED 350MA MAX 46W
S05DSFO-FX003	56	7403	7206	FIXED 425MA MAX 56W
S05DSFO-FX004	63	8358	8136	FIXED 475MA MAX 63W
S05DSFO-FX005	69	9194	8950	FIXED 525MA MAX 69W
S05DSFO-FX006	73	9552	9298	FIXED 550MA MAX 73W
S05DSFO-FX007	75	10030	9763	FIXED 575MA MAX 75W
S05DSFO-FX008	82	10865	10577	FIXED 625MA MAX 82W
S05DSFO-FX009	85	11104	10809	FIXED 650MA MAX 85W
S05DSFO-FX010	91	11940	11623	FIXED 700MA MAX 91W

VM - VIRTUAL MIDNIGHT - 40LED							
Setting Code	W Max	Nominal flux (lm)		W Min	Nominal flux (lm)		Description
		4000K Ra70	5700K Ra70		4000K Ra70	5700K Ra70	
S05DSFO-VM001	69	9194	8950	25	3224	3138	VM ON-525MA 69W / 21:00-175MA 25W / 04:00-525MA 69W
S05DSFO-VM002	69	9194	8950	46	6209	6044	VM ON-525MA 69W / 21:00-350MA 46W / 04:00-525MA 69W
S05DSFO-VM003	46	6209	6044	25	3224	3138	VM ON-350MA 46W / 21:00-175MA 25W / 04:00-350MA 46W
S05DSFO-VM004	91	11940	11623	46	6209	6044	VM ON-700MA 91W / 21:00-350MA 46W / 04:00-700MA 91W
S05DSFO-VM005	91	11940	11623	69	9194	8950	VM ON-700MA 91W / 21:00-525MA 69W / 04:00-700MA 91W
S05DSFO-VM006	91	11940	11623	25	3224	3138	VM ON-700MA 91W / 21:00-175MA 25W / 04:00-700MA 91W

FX - FIXED OUTPUT 50LED				
Setting Code	System Watts W	Nominal flux (lm)		Description
		4000K Ra70	5700K Ra70	
S05ESFO-FX002	56	7761	7555	FIXED 350MA MAX 56W
S05ESFO-FX003	68	9254	9008	FIXED 425MA MAX 68W
S05ESFO-FX004	77	10448	10170	FIXED 475MA MAX 77W
S05ESFO-FX005	85	11492	11187	FIXED 525MA MAX 85W
S05ESFO-FX006	90	11940	11623	FIXED 550MA MAX 90W
S05ESFO-FX007	92	12537	12204	FIXED 575MA MAX 92W
S05ESFO-FX008	101	13582	13221	FIXED 625MA MAX 101W
S05ESFO-FX009	104	13880	13512	FIXED 650MA MAX 104W
S05ESFO-FX010	112	14925	14529	FIXED 700MA MAX 112W

VM - VIRTUAL MIDNIGHT - 50LED							
Setting Code	W Max	Nominal flux (lm)		W Min	Nominal flux (lm)		Description
		4000K Ra70	5700K Ra70		4000K Ra70	5700K Ra70	
S05ESFO-VM001	85	11492	11187	30	4030	3923	VM ON-525MA 85W / 21:00-175MA 30W / 04:00-525MA 85W
S05ESFO-VM002	85	11492	11187	56	7761	7555	VM ON-525MA 85W / 21:00-350MA 56W / 04:00-525MA 85W
S05ESFO-VM003	56	7761	7555	30	4030	3923	VM ON-350MA 56W / 21:00-175MA 30W / 04:00-350MA 56W
S05ESFO-VM004	112	14925	14529	56	7761	7555	VM ON-700MA 112W / 21:00-350MA 56W / 04:00-700MA 112W
S05ESFO-VM005	112	14925	14529	85	11492	11187	VM ON-700MA 112W / 21:00-525MA 85W / 04:00-700MA 112W
S05ESFO-VM006	112	14925	14529	30	4030	3923	VM ON-700MA 112W / 21:00-175MA 30W / 04:00-700MA 112W

LEDway® Series

Cree Ledway® Road - Street Light - Adjustable Arm Mount



Control options

FX - FIXED OUTPUT 60LED				
Setting Code	System Watts W	Nominal flux (lm)		Description
		4000K Ra70	5700K Ra70	
S05FSFO-FX002	66	9313	9066	FIXED 350MA MAX 66W
S05FSFO-FX003	81	11104	10809	FIXED 425MA MAX 81W
S05FSFO-FX004	91	12537	12204	FIXED 475MA MAX 91W
S05FSFO-FX005	100	13791	13424	FIXED 525MA MAX 100W
S05FSFO-FX006	106	14328	13947	FIXED 550MA MAX 106W
S05FSFO-FX007	110	15044	14645	FIXED 575MA MAX 110W
S05FSFO-FX008	119	16298	15865	FIXED 625MA MAX 119W
S05FSFO-FX009	123	16656	16214	FIXED 650MA MAX 123W
S05FSFO-FX010	132	17910	17434	FIXED 700MA MAX 132W

VM - VIRTUAL MIDNIGHT - 60LED							
Setting Code	W Max	Nominal flux (lm)		W Min	Nominal flux (lm)		Description
		4000K Ra70	5700K Ra70		4000K Ra70	5700K Ra70	
S05FSFO-VM001	100	13791	13424	36	4836	4707	VM ON-525MA 100W / 21:00-175MA 36W / 04:00-525MA 100W
S05FSFO-VM002	100	13791	13424	66	9313	9066	VM ON-525MA 100W / 21:00-350MA 66W / 04:00-525MA 100W
S05FSFO-VM003	66	9313	9066	36	4836	4707	VM ON-350MA 66W / 21:00-175MA 36W / 04:00-350MA 66W
S05FSFO-VM004	132	17910	17434	66	9313	9066	VM ON-700MA 132W / 21:00-350MA 66W / 04:00-700MA 132W
S05FSFO-VM005	132	17910	17434	100	13791	13424	VM ON-700MA 132W / 21:00-525MA 100W / 04:00-700MA 132W
S05FSFO-VM006	132	17910	17434	36	4836	4707	VM ON-700MA 132W / 21:00-175MA 36W / 04:00-700MA 132W

LEDway® Series

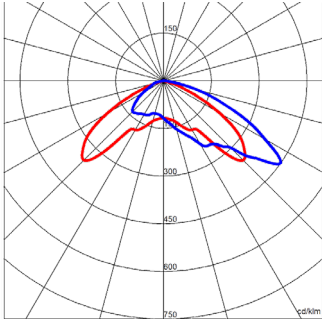
Cree Ledway® Road - Street Light - Adjustable Arm Mount



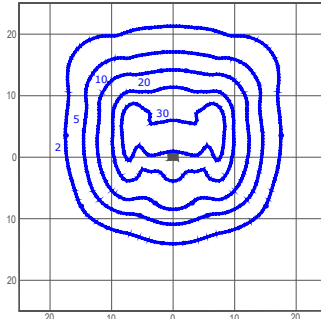
Photometry

All published luminaire photometric testing performed by an external certified ISO 17025 laboratory.
To obtain an IES file specific to your project consult: www.creelighting-europe.com

AC - Type IV Medium



Test Report #: 1518-QL21-R05

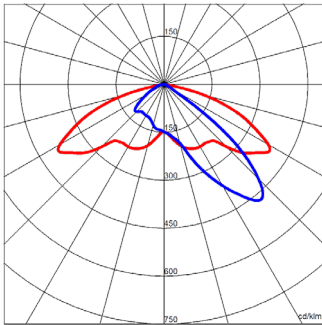


LXD-AC-R-06-F
Mounting Height: 8m

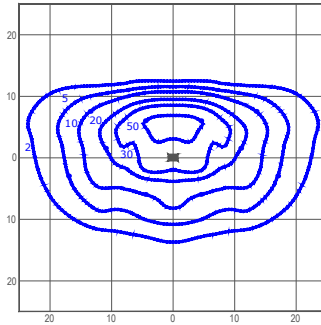
LUMEN OUTPUT - AC (Type IV Medium)		
Lumen Package	4000K Ra70	5700K Ra70
	Initial Delivered Lumens*	Initial Delivered Lumens*
02	4949	4817
03	7423	7226
04	9897	9634
05	12372	12043
06	14846	14452

* Initial delivered lumens at 25°C (77°F). Actual production yield may vary between -4 and +10% of initial delivered lumens

TS - Type II Short



Test Report #: 1518-QL21-R04

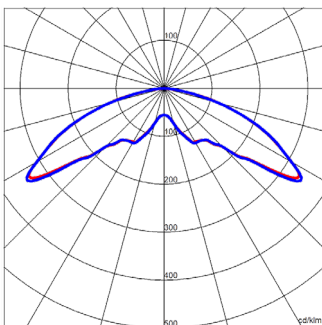


LXD-TS-R-06-F
Mounting Height: 8m

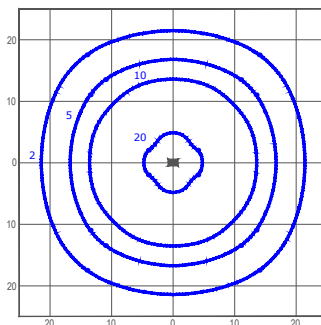
LUMEN OUTPUT - TS (Type II Short)		
Lumen Package	4000K Ra70	5700K Ra70
	Initial Delivered Lumens*	Initial Delivered Lumens*
02	5178	5040
03	7767	7561
04	10356	10081
05	12945	12601
06	15534	15121

* Initial delivered lumens at 25°C (77°F). Actual production yield may vary between -4 and +10% of initial delivered lumens

QV - Type V MEDIUM



Test Report #: 1518-QL21-R03



LXD-QV-R-06-F
Mounting Height: 8m

LUMEN OUTPUT - QV (Type V Medium)		
Lumen Package	4000K Ra70	5700K Ra70
	Initial Delivered Lumens*	Initial Delivered Lumens*
02	5178	5040
03	7767	7561
04	10356	10081
05	12945	12601
06	15534	15121

* Initial delivered lumens at 25°C (77°F). Actual production yield may vary between -4 and +10% of initial delivered lumens

LEDway® Series

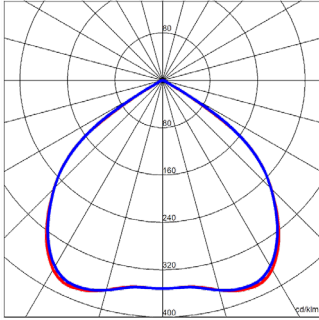
Cree Ledway® Road - Street Light - Adjustable Arm Mount



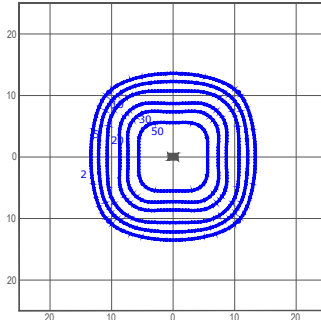
Photometry

All published luminaire photometric testing performed by an external certified ISO 17025 laboratory. To obtain an IES file specific to your project consult: www.creelighting-europe.com

FS - Petroleum Symmetric



Test Report #: 1518-QL21-R02



LXD-FS-R-06-F
Mounting Height: 8m

LUMEN OUTPUT - FS PETROLEUM SYMMETRIC		
Lumen Package	4000K Ra70	5700K Ra70
	Initial Delivered Lumens*	Initial Delivered Lumens*
02	5688	5537
03	8533	8306
04	11377	11075
05	14221	13843
06	17065	16612

* Initial delivered lumens at 25°C (77°F). Actual production yield may vary between -4 and +10% of initial delivered lumens



© 2022 Cree Lighting International S.P.A.;
All rights reserved. For informational purposes only.
Content is subject to change.