

LR22

LR22™ 595 mm x 595 mm LED Troffer



CREE LIGHTING

Product Description

LR22 LED troffer blends seamlessly into any ceiling and offers soft, smooth, fully-luminous light, creating a quiet ceiling that keeps spaces bright and vibrant. The innovatively thin <100mm depth of the LR22 LED troffer easily accommodates narrow plenums and is ideal for both retrofit and new construction. The LR22 LED troffer delivers up to 3400 lumens of exceptional 90 CRI light while achieving an efficacious 120 lumens per watt. This breakthrough performance is achieved by combining the high efficacy and high-quality light. A variety of dimming and control options offer even more energy savings opportunity while providing a new level of flexibility that enables a more personal lighting experience with DALI control.

Applications: Office, Shops, Education, Convenience Stores

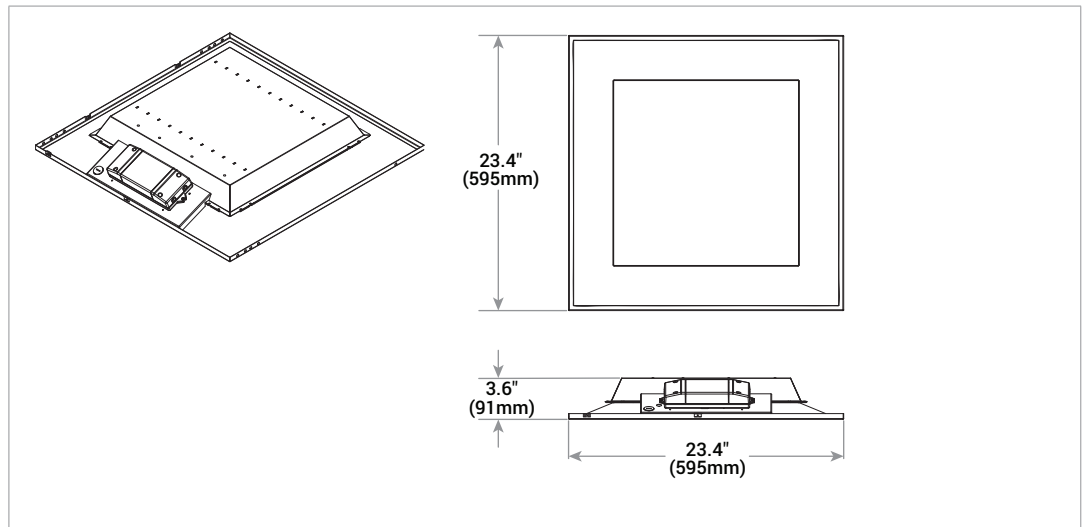


Ordering Information

Example: LR22-B-32L-30K-24-ADIM

Product	Version	Lumen Package	CCT	Voltage	Control Options
LR22	B	32L 28W	30K 3000K	24 220-240V	ADIM
		34L 28W	40K 4000K		DALI

Dimensions



LR22


LR22™ 595 mm x 595 mm LED Troffer



CREE LIGHTING

FEATURES
<ul style="list-style-type: none">• LED Lumen output: Up to 3400lm• LED module efficiency: Up to 120 lm/W• CRI 90• CCT: 3000K, 4000K• UGR < 21• Initial Colour Consistency: 4 steps MacAdam• Operative temperature: -20°C up to +40°C• Insulation class: Class I• Protection Degree: IK06• Expected Lifetime (Ta=25°): L80B50 Up to >75.000 hrs• Average luminance <3000 cd/m² @>65°• Dimming: Dimmable to 5% with Analog 1-10V or DALI control protocols.

CONSTRUCTION AND MATERIALS
<ul style="list-style-type: none">• Durable cold rolled aluminum housing provides strength and uniformity.• Ultra-thin 100mm fixture and lightweight design effectively target a broad range of plenum spaces and allow for easy installations.• Fixture is powder coated for a soft textured finish.• Fixture sides and ends are hemmed in for safe, easy handling.• Components work together to optimize distribution, balancing the delivery of high illuminance levels on horizontal surfaces with an ideal amount of light on walls and vertical surface.• Integral, high-efficiency driver.• Finishes: White

WARRANTY AND CERTIFICATIONS
<ul style="list-style-type: none">• Limited Warranty: 5 years• Risk group 0• Compliant to: EN 60598-1; EN 60598-2-2, EN 60598-2-5• Energy labels are available for download in the certifications section of the product page 

ELECTRICAL DATA*			
Dimensions	System Watts 220-240V	Total Current	Power Factor
		@230V, 50Hz	
600x600 mm	28W	0.150A	> 0.96

* Electrical data at 25°C (77°F)

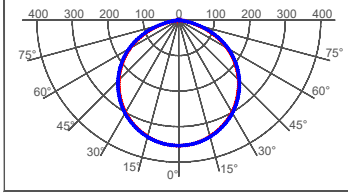
LR22

LR22™ 595 mm x 595 mm LED Troffer

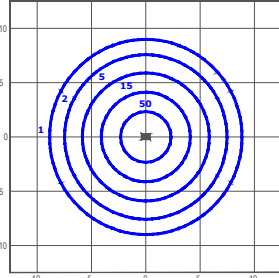


Photometry

All published luminaire photometric testing performed to IESNA LM-79-08 standards by a NVLAP certified laboratory. To obtain an IES file specific to your project consult: www.creelighting-europe.com



cd/klm
— C0 - C180 — C90 - C270

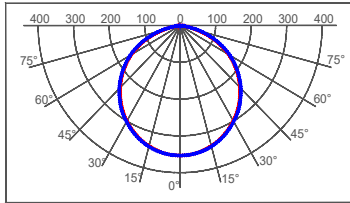


lux
 LR22-B-32L-30K-24-ADIM
 Mounting Height: 3m

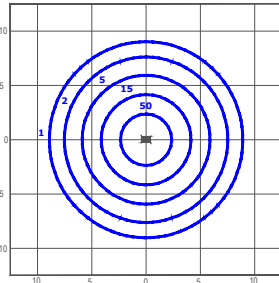
LUMEN OUTPUT

Lumen Package	Input Power Designator	3000K*
		Initial Delivered Lumens*
32L	28W	3335

* Initial delivered lumens at 25°C (77°F). Actual production yield may vary between -10 and +10% of initial delivered lumens



cd/klm
— C0 - C180 — C90 - C270



lux
 LR22-B-34L-40K-24-ADIM
 Mounting Height: 3m

LUMEN OUTPUT

Lumen Package	Input Power Designator	3000K*
		Initial Delivered Lumens*
34L	28W	3412

* Initial delivered lumens at 25°C (77°F). Actual production yield may vary between -10 and +10% of initial delivered lumens