



DOT SURFACE MOUNT BRACKET

INSTALLATION INSTRUCTIONS

Product Code: KT-SMKWHS/V1

Designed for use with the following luminaires (sold separately):

- Cree Lighting Dot Multi
- Cree Lighting Dot Energy
- Cree Lighting Dot Fuel Gen 1 & 2 (Single Module Only)

**Version suitable for luminaire with Zhaga sensor also available (not pictured).*

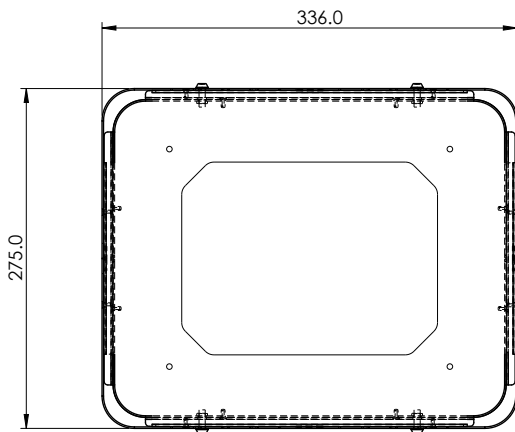


Product Information

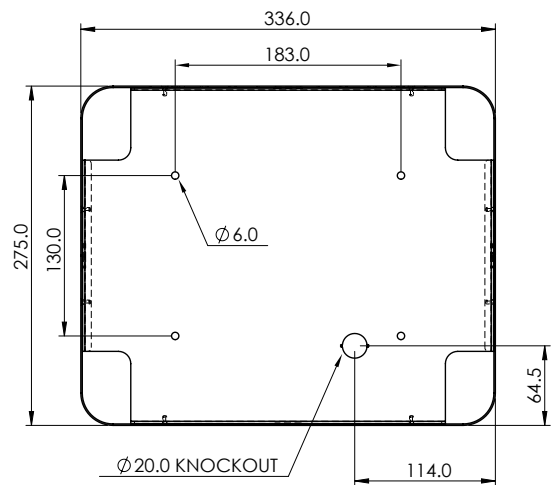
Components:	Two Housing Pieces (Front Cover & Base)
Cable Entry:	Knockouts for Left, Right, Front, Rear & Top Entry (Ø 20mm)
Product Dimensions:	336mm x 275mm x 135mm (Assembled)
Weight:	3.8kg (not including luminaire)
Fixings (Assembly Only):	Assembly Screws Included*

Screws to secure the trim to the mounting surface are **not provided. Suitable screws / fixings should be used - follow local electrical / building codes for installation.*

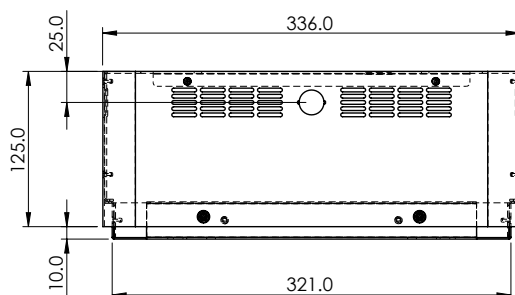
Dimensions



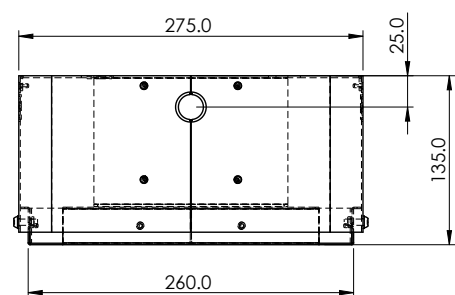
BOTTOM VIEW



TOP VIEW



REAR VIEW



SIDE VIEW



DOT SURFACE MOUNT BRACKET

INSTALLATION INSTRUCTIONS

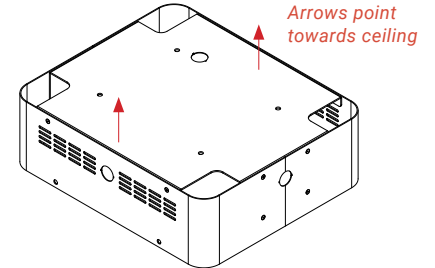


SWITCH OFF POWER SUPPLY BEFORE INSTALLATION. INSTALLATION SHOULD ONLY BE UNDERTAKEN BY A QUALIFIED ELECTRICIAN.

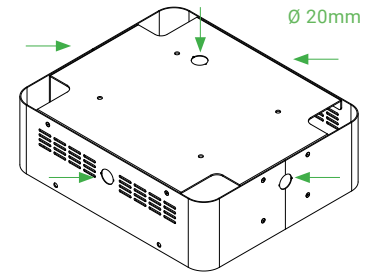
Installation Instructions

1) Using base as a guide, mark mounting surface and drill holes as necessary (holes in base are \varnothing 6.0mm diameter). Mount base to desired surface as shown*. (If using top cable entry, bring cable through prior to mounting).

*Screws to secure the trim to the mounting surface are **not provided**. Suitable screws / fixings should be used - follow local electrical / building codes for installation.

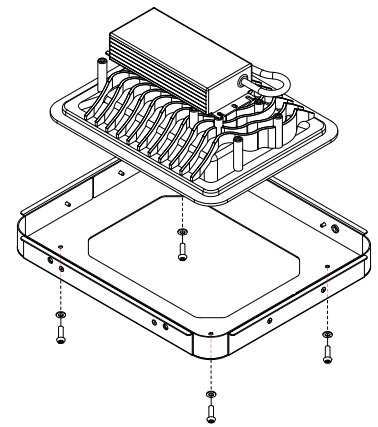


2) Dot Surface Mount Bracket offers \varnothing 20mm knockouts for left, right, front, rear & top entry. If using side, front or rear entry, a gland is required (not supplied). Run input cable into void and fit off.



3) Attach luminaire* to Dot Surface Mount Bracket front cover using screws and washers provided.

*Luminaire to be purchased separately.



4) Connect input cable to luminaire (see Cree Lighting Dot Series installation instructions sheet for luminaire wiring instructions).

5) Attach Dot Surface Mount Bracket front cover and luminaire to affixed base using screws and washers provided.

