



# DOT SURFACE MOUNT BRACKET

## SPECIFICATION SHEET



**Product Code: KT-SMKWHS/V1**

**Designed for use with the following luminaires (sold separately):**

- Cree Lighting Dot Multi
- Cree Lighting Dot Energy
- Cree Lighting Dot Fuel Gen 1 & 2 (Single Module Only)

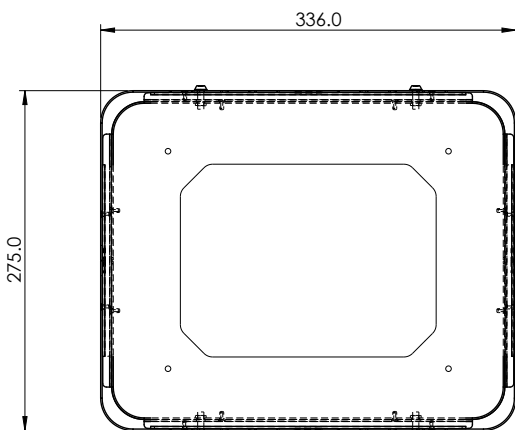
*\*Version suitable for luminaire with Zhaga sensor also available (not pictured).*

### Physical Data

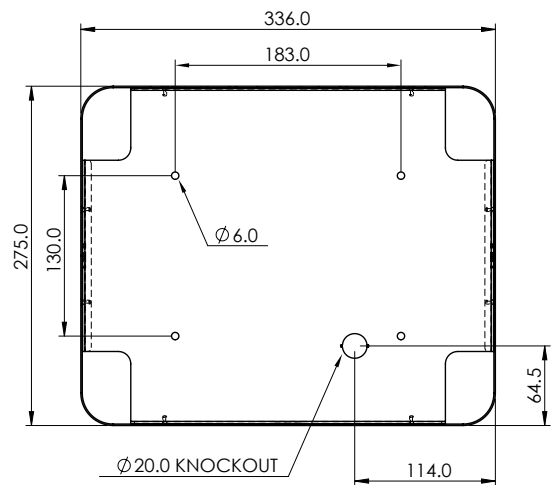
<b>Components:</b>	Two Housing Pieces (Front Cover & Base)
<b>Housing Materials:</b>	Front Cover - 1.2mm Zincseal Base - 1.2mm & 1.6mm Zincseal
<b>Colour:</b>	White (Other Colours Available)
<b>Finish:</b>	Powder Coated
<b>Cable Entry:</b>	Knockouts for Left, Right, Front, Rear & Top Entry (Ø 20mm)
<b>Product Dimensions:</b>	336mm x 275mm x 135mm (Assembled)
<b>Weight:</b>	3.8kg (Excluding Luminaire)
<b>Fixings (Assembly Only):</b>	Assembly Screws Included*

*\*Screws to secure the trim to the mounting surface are **not provided**. Suitable screws / fixings should be used - follow local electrical / building codes for installation.*

### Dimensions



BOTTOM VIEW



TOP VIEW

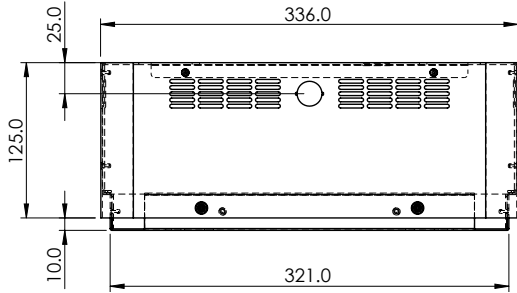
*All dimensions in mm*



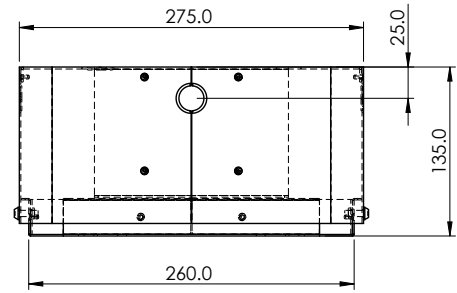
# DOT SURFACE MOUNT BRACKET

## SPECIFICATION SHEET

### Dimensions (Cont.)



REAR VIEW



SIDE VIEW

All dimensions in mm

### Additional Images



### Exploded View

