

# DURARAIL LED

## IMPACT RESISTANT LED BATTEN

- IK10 / IP66
- DIE-CAST ALUMINIUM HOUSING
- POLYCARBONATE DIFFUSER
- 35W / 50W / 65W
- 650MM / 1160MM
- RANGE OF MOUNTING OPTIONS
- DALI / SENSOR / EMERGENCY OPTIONS

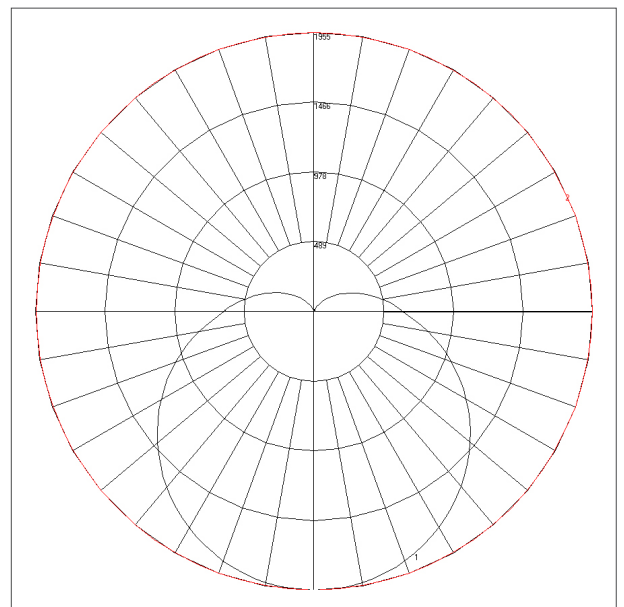


Electrical Data	
Input Voltage (Nominal):	220V AC to 240V AC
Wattages (Nominal):	35W 50W* 65W
Power Factor:	0.9
Short Circuit Protection:	Yes
Overload Protection:	Yes
Surge Protection:	Yes (4kV)
Compliance:	RCM
Dimming:	On/Off Sensor* Programmable Sensor* (DALI version only) DALI*

Physical Data	
IK Rating:	IK10
IP Rating:	IP66
Ambient Temperature:	-20°C to +50°C
Housing:	Die-Cast Aluminium
Body Colour:	Grey
Diffuser:	UV Resistant Polycarbonate
Product Dimensions:	35W (650mm Version) - 650mm x 110mm x 95mm* 35W (1160mm Version) - 1160mm x 110mm x 95mm 50W - 1160mm x 110mm x 95mm* 65W - 1160mm x 110mm x 95mm

Lifetime Data	
Rated Life (TM-21):	>60,000 Hours (L70B50)
Warranty (Standard):	5 Years

Photometric Data	
Lumens Per Watt (Nominal):	125
Lumens (Nominal):	35W = 4,400 Lumens 50W = 6,300 Lumens* 65W = 8,200 Lumens
CRI:	>80 CRI
CCT:	4000K
SDCM:	<3 SDCM
Distribution:	120°



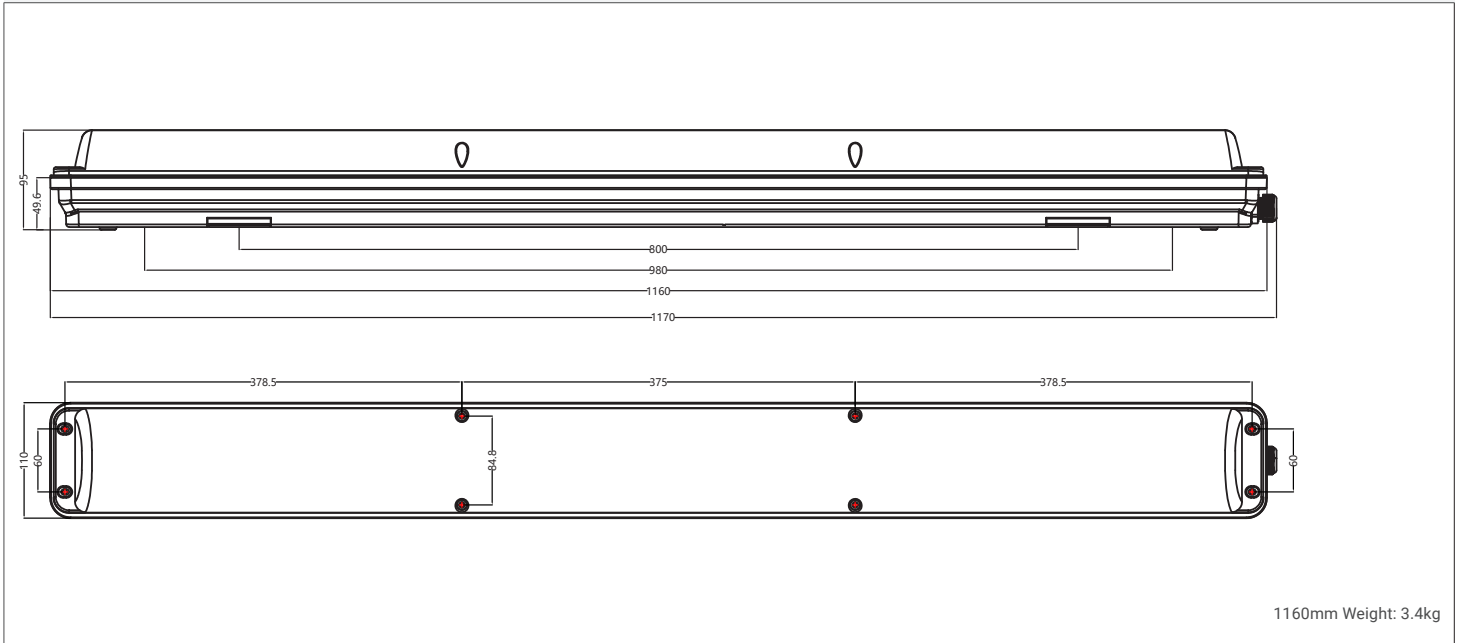
Note: Polar curve image is indicative only and may not be applicable for all variants. Please refer to the photometric files on our website or contact us for more information.

\* Indicates indent item only. Minimum order quantity and surcharge may apply.

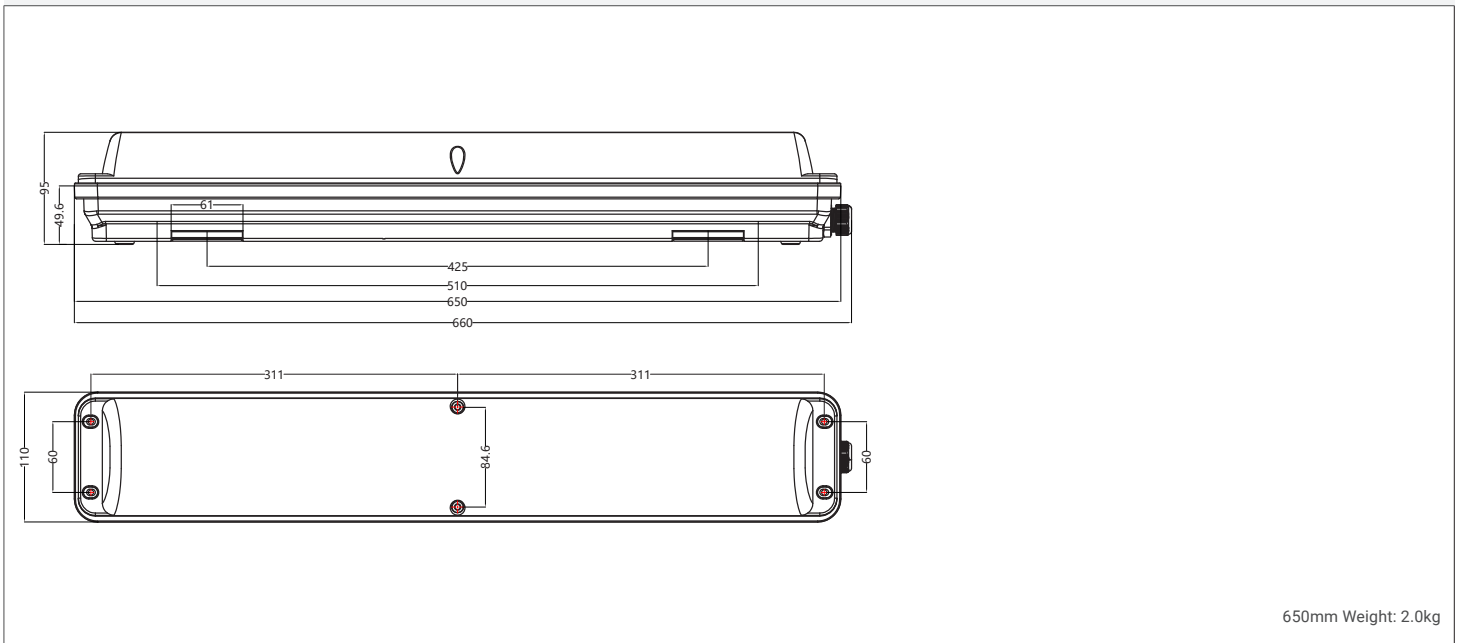
# DURARAIL LED

## IMPACT RESISTANT LED BATTEN

### Dimensions (Long - 1160mm Version)



### Dimensions (Short - 650mm Version\*)

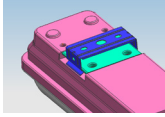
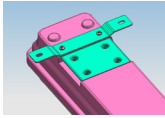
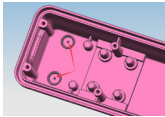


All dimensions in mm

\* Indicates indent item only. Minimum order quantity and surcharge may apply.

# DURARAIL LED

## IMPACT RESISTANT LED BATTEN

Mounting Options	
<b>Standard Mounting Clips</b> <i>(Included in box)</i>	
<b>Extra Long Mounting Clips</b> <i>(Included in box)</i>	
<b>Direct Mount (No Clips)</b>	

Emergency Details (Optional - 65W & 35W / 1160mm only)		
<b>Standard:</b>	AS/NZS 2293:2018 Compliant	
<b>Operation Mode:</b>	Maintained	
<b>Battery:</b>	Self-contained Battery Pack	
<b>Battery Type:</b>	LiFePO4 x 4 Cells	
<b>Battery Discharge Time:</b>	2 Hours (Minimum)	
<b>Voltage / Capacity:</b>	Nominal Voltage 3.2V / 3000mAh	
<b>Classification:</b>	AS/NZS 2293:2018 Emergency Classification <i>(See Table Extract Below)</i>	
	<b>Plane</b> C0, C180 C90, C270	<b>Class 0.2 Lux / 1 Lux</b> C125 / D80 C125 / C125
<b>Emergency Wattage:</b>	4.3W	
<b>Emergency Mode Lumens:</b>	540 Lumens	
<b>Testing System:</b>	Manual Test Switch	

Accessories
<b>The following accessories are included with each luminaire:</b> <ul style="list-style-type: none"> <li>• 2 x Metal Cable Glands</li> <li>• 2 x Blanking Plugs</li> <li>• 2 x Standard Mounting Clips</li> <li>• 2 x Extra Long Mounting Clips</li> <li>• 4 x Screws</li> <li>• 4 x Wall Plugs</li> </ul>

On/Off Sensor Details (Optional - Fixed Only)	
<b>Sensor Make / Model:</b>	Merrytek MC098S 2
<b>Operating Frequency:</b>	5.8GHz (±75MHz) - ISM Band
<b>Transmitting Power:</b>	0.5 mW (Max.)
<b>Default Hold Time:</b>	90 Seconds
<b>Default Detection Range:</b>	100% of Possible Detection Range
<b>Detecting Radius:</b>	4m - 6m (Mounting Height 3m)
<b>Mounting Height:</b>	2.5m - 6m Supported
<b>Detecting Angle:</b>	360° (Ceiling Mount) / 150° (Wall Mount)

Programmable Sensor Details (Optional - DALI Only)	
<b>Sensor Make / Model:</b>	Haisen HDD02
<b>Operating Frequency:</b>	5.8GHz (±75MHz)
<b>Microwave Power:</b>	<0.3 mW
<b>Default Hold Time:</b>	60 Seconds (TBC)
<b>Default Detection Range:</b>	Max. Ø 14m
<b>Detecting Radius:</b>	6m - 7m (Mounting Height 6m)
<b>Mounting Height:</b>	2.5m - 6m Supported

**Sensor Notes:**  
 - Both sensors only available in 1160mm version.  
 - When supplied with Programmable Sensor, DuraRail LED cannot be connected to or controlled by an external DALI system.  
 - Certain settings on both sensors can be modified. Contact ADLT for more information.

Emergency Spacing Table & Mounting Heights - AS/NZS 2293.1:2018 (Min. 0.2 Lux)																
Height	2.1	2.4	2.7	3.0	3.3	3.6	4.0	4.5	5.0	6.0	7.0	8.0	9.0	10.0	15.0	20.0
Classification C125	11.5	13.2	14.8	16.5	17.7	18.5	19.5	20.6	21.7	23.5	25.1	26.5	27.7	28.8	32.1	32.5

\* Indicates indent item only. Minimum order quantity and surcharge may apply.



# DURARAIL LED

## IMPACT RESISTANT LED BATTEN

Code Builder		
Position 1,2,3	Product Family	<b>DUR</b> DuraRail LED
Position 4	Power / Wattage	<b>A</b> 35 Watts <b>B</b> 50 Watts* <b>C</b> 65 Watts
Position 5	Mounting	<b>A</b> All Mounting Options Included
Position 6	Product Length	<b>S</b> Short (650mm)* <b>L</b> Long (1160mm)
Position 7,8	CCT	<b>40</b> 4000K
Position 9	CRI	<b>8</b> 80 CRI
Position 10,11,12	Input Voltage	<b>+24</b> 220V AC - 240V AC
Position 13,14	Controls Variation	<b>FX</b> Fixed <b>DL</b> DALI*
Position 15,16	Cable Entry^	<b>ST</b> Standard (Through Wiring) <b>BK</b> Back Wiring* <b>OW</b> One Way Wiring (35W / 650mm Only)*
Position 17,18	Options (Leave Blank if None)	<b>SN</b> On/Off Sensor (1160mm / FX Only)* <b>EM</b> Emergency (35W or 65W / 1160mm Only)* <b>PS</b> Programmable Sensor (1160mm / DL Only)*

^Refer to Installation Instructions for Cable Entry details.

### Code Example

1	2	3	4	5	6	7	8	9	10	11	12	13	14	15	16	17	18
D	U	R	C	A	L	4	0	8	+	2	4	F	X	S	T	S	N

The resulting code is: DURCAL408+24FXSTSN

The resulting description is: DuraRail LED, 65 Watts, All Mounting Options, Long (1160mm), 4000K, 80 CRI, 220V AC - 240V AC, On/Off, Standard (Through Wiring), Motion Sensor

### Additional Photos



\* Indicates indent item only. Minimum order quantity and surcharge may apply.