

# Denver iD Pole

## LED STREET & AREA LUMINAIRE



### FEATURES

- Available with nominal lumen ranges from 2,000 to 12,000 (delivered).
- A range of distributions for a variety of applications with 0% ULOR.
- 2700K, 3000K, 4000K & Amber options available.
- CRI > 70.
- Available with integrated control options.
- Complies with EN60598.
- IP65 and IK10.
- -25°C to +45°C.
- 5-year warranty.
- Optional backlight shields available on request.

Images display fitting with optional post-top bracket (sold separately).



### TYPICAL LUMINAIRE PERFORMANCE

Configuration	Module Size	Delivered Lumens	Circuit Power (W)	Driver Output Current (mA)	Total No. Of LEDs	Efficacy (lm/w)
DPL.LA02X	Small	c.2,000	15	550	8	135
DPL.LA03X	Small	c.3,000	24	900	8	123
DPL.LA04X	Small	c.4,000	30	575	16	134
DPL.LA05X	Small	c.5,000	38	740	16	130
DPL.LA06X	Small	c.6,000	48	925	16	125
DPL.LA07X	Large	c.7,000	49	500	32	143
DPL.LA08X	Large	c.8,000	57	580	32	141
DPL.LA09X	Large	c.9,000	66	675	32	136
DPL.LA10X	Large	c.10,000	69	480	48	144
DPL.LA11X	Large	c.11,000	78	540	48	141
DPL.LA12X	Large	c.12,000	87	600	48	138

Lumen data is considered to be representative of the configuration shown, and may vary, with a Tolerance on flux of +/- 7% (typical of LED manufacturers data) and luminaire power of +/- 5%.

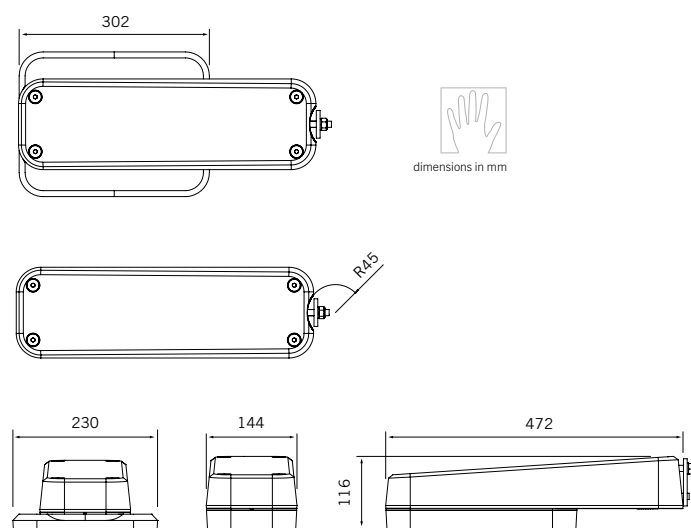
### CONFIGURATIONS



Small Module (8 / 16 LEDs)  
Weight: 6.1kg / Windage: 0.042m<sup>2</sup>

Large Module (32 / 48 LEDs)  
Weight: 7.5kg / Windage: 0.042m<sup>2</sup>

### DIMENSIONS



### SPECIFICATION

**Holophane Denver iD: Pole** consists of a 2-part body and a removable LED module manufactured from LM6 marine grade die-cast aluminum with integrated thermal management properties. The optical arrangement consists of LEDs with individual PMMA optical lenses surrounded by a patented white Transition Zone to reduce perceived glare. This is sealed behind high-transparency 'hydrophilic' glass. Both luminaire body and LED module are sealed to IP65 and rated IK10. Drivers and LED are contained within separate housings to promote low operating temperatures and long system life. Column mounting of the luminaire is facilitated by a bespoke post-top bracket (ordered separately). Cable entry and termination to the luminaire is a via an IP65 cable gland. International Dark-Sky Association Approved (colour temperatures 3000K or warmer are approved under the IDA).

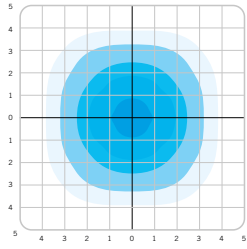


# Denver iD Pole

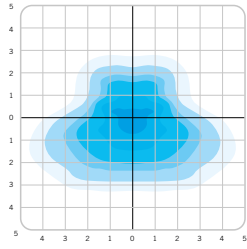
## LED STREET & AREA LUMINAIRE



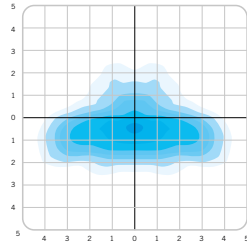
### DISTRIBUTIONS



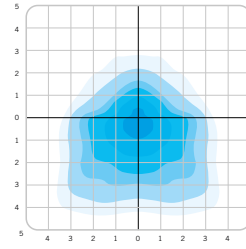
Symmetric (.SY)



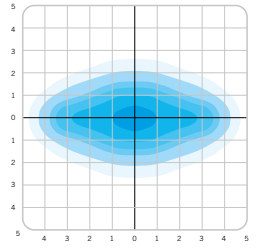
Asymmetric (.AY)



Long & Narrow (.NR)



Forward Throw (.FW)



High Beam Long & Narrow (.HN)

### ELECTRICAL

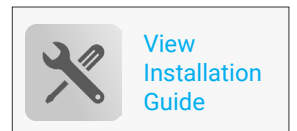
	LA02X	LA03X	LA04X	LA05X	LA06X	LA07X	LA08X	LA09X	LA10X	LA11X	LA12X
Drive Current From Driver	550mA	900mA	575mA	740mA	925mA	500mA	580mA	675mA	480mA	540mA	600mA
Power	15W	24W	30W	38W	48W	49W	57W	66W	69W	78W	87W
Fitting Current	0.07A	0.11A	0.13A	0.17A	0.22A	0.22A	0.26A	0.3A	0.31A	0.35A	0.39A
Power Factor	0.98	0.99	0.98	0.98	0.98	0.95	0.98	0.98	0.96	0.97	0.98
Fitting Inrush	15A-0295ms	15A-0.36ms	22A-0.29ms	22A-0.29ms	43A-0.26ms	43A-0.26ms	43A-0.26ms	43A-0.26ms	43A-0.26ms	65A-268ms	65A-268ms
Number of Drivers	1	1	1	1	1	1	1	1	1	1	1
Max Drivers per 16A Type B MCB	29	23	20	20	10	10	10	10	10	5	5
Total Number of LEDs	8	8	16	16	16	32	32	32	48	48	48
Minimum Dim Level	10%	8%	12%	9%	8%	10%	9%	7%	10%	2%	2%
THDi	8	7	8.5	7.9	11.6	11.2	9.9	8.8	8.4	11	10.5

### LLMF

Configuration	Wattage	CCT	Optic	Depreciation @ 50K Hours	Depreciation @ 100K Hours
DPL.1.LA023.FW.C6.W015	15W	3000K	FW	L97B50	L94B50
DPL.1.LA043.FW.C6.W030	30W	3000K	FW	L97B50	L93B50
DPL.1.LA063.FW.C6.W048	48W	3000K	FW	L97B50	L94B50
DPL.1.LA083.FW.C6.W057	57W	3000K	FW	L96B50	L93B50
DPL.1.LA113.FW.C6.W078	78W	3000K	FW	L96B50	L93B50
DPL.1.LA123.FW.C6.W087	87W	3000K	FW	L96B50	L92B50
<b>AVERAGE (ROUNDED)</b>				<b>L97B50</b>	<b>L93B50</b>

Note: Ta: 25°. Approximate LLMF data provided as a guide only. LLMF for other configurations may be different. For reference purposes, the data may extrapolate beyond the recommended 6x LM-80 data in IESNA TM-21, which these calculations are based on. Contact ADLT for more information.

### MAINTENANCE



# Denver iD Pole

## LED STREET & AREA LUMINAIRE



### CONTROLS

Holophane's ZD4i architecture provides a future-proof foundation that enables users to build on whenever their site/project is ready to opt into new advances in technology. It is designed to work with industry-recognised, futureproof drivers and sensors that have the potential to increase energy efficiency and collect different types of data. By having **Denver iD Pole** ZD4i ready customers can upgrade / adjust the controllability of their lighting and gather valuable data whenever they are ready.

#### BENEFITS

**Increased Energy Savings:** Sensors and devices can be used to optimise luminaires to give greater energy savings and provide light only when it is required.

**Flexibility:** The ZD4i architecture enables the interchanging and upgrading of sensor and device options should and when the end-user pleases.

**Future Proof:** End-users have access to an ever expanding eco-system of devices and sensors through 3rd-party suppliers. The ZD4i architecture is an industry recognised platform.

*Note: Please ensure that the selected IoT device is compatible and suitable for the respective luminaire. All installation should be completed in compliance with the respective devices installation instructions (and limitations). Holophane cannot be held responsible for the operation of its luminaires with third party devices.*



### CONTROL ACCESSORIES



CONTROLUX AIR is a wireless technology that offers intelligent lighting with reductions in energy consumption of up to 80%. It optimises energy savings thanks to the individual control of light sources. It controls, monitors and manages street lighting, reporting consumptions, operating hours or system faults.

**IOT.TZ.CA**  
For use with TZ01 or TZ02



### ZD4i



The .CAP option combines a bottom facing 4-pin Zhaga socket (.TZ02) and a ZD4i Wattstopper IP66 sensor.

**.CAP OPTION**



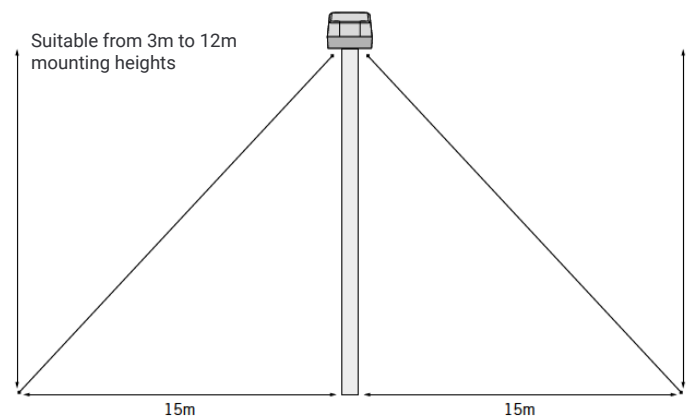
EasyAir SNO110 is ideally suited for outdoor applications and is intended for individual pole control and configuration. It automatically connects to the Global Navigation Satellite System (GNSS) to obtain date and time information in real time. On/off switching as well as a 5-step DynaDimmer scheduling based on date and time can be configured using Bluetooth communication. Therefore, this device can easily replace a photocell or LineSwitch-based control mechanism.

**IOT.TZ.EAS**  
For use with TZ01



The PrecisionHALO is Lucy Zodion's latest photocell innovation that packs a number of features into its small, compact design. Optimised for the latest generation of LED Streetlights, the PrecisionHALO works alongside Zhaga drivers and connectors.

**IOT.TZ.TSZC**  
For use with TZ01



Mounting Height	3m	4m	5m	6m	8m	10m
Range	15m	19m	22m	26m	28m	30m

# Denver iD Pole

## LED STREET & AREA LUMINAIRE

### STANDARD COLOURS

	<b>C1</b> Smooth White (RAL9016)
	<b>C4</b> Smooth Graphite (RAL7011)
	<b>C6</b> Smooth Grey (RAL7035)
	<b>C7</b> Textured Black (RAL9005)
	<b>C9</b> Metallic Silver (RAL9006)

### CUSTOM COLOURS

	<b>RAL****</b> Customer Specified Colour
--	------------------------------------------

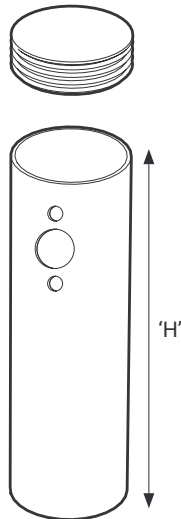
\*Choosing a custom colour may increase cost and lead time.

### MOUNTING OPTIONS

- Mounts to be ordered separately - wall or post-top (below).
- Wall & post-top brackets available with following fixed tilt options: 0° / 5° / 10°.
- Single post-top bracket available with the following vertical spigots: 60mm / 76mm / 89mm / 101mm / 114mm / 127mm.
- Back-to-back post-top bracket available with the following vertical spigots: 76mm / 89mm / 101mm / 114mm / 127mm.

#### Single Post-Top Bracket

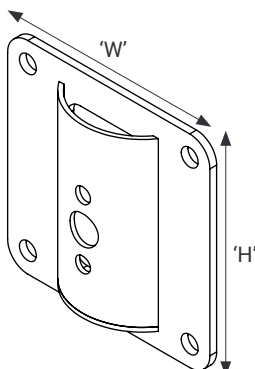
Dimensions	
Spigot Ø	Height (H)
60mm	280mm
76mm	280mm
89mm	280mm
101mm	330mm
114mm	330mm
127mm	330mm



#### Wall Bracket

Dimensions	
Width (W)	Height (H)
150mm	150mm

\*0° tilt option displayed.



### ADDITIONAL PHOTOS



### THE DENVER iD RANGE

Holophane's Denver iD Series consists of wall, pole and bollard luminaires which combine clean styling, visual comfort and unrivalled system performance to meet the unique requirements of pedestrian-friendly amenity spaces.

Coupled with the latest LED technologies, optional smart controls integration and class-leading optical performance, the Denver iD Series combines form with a feature-rich luminaire system.

Click the images below to view the other members of the Denver iD Series on [adlt.com.au](http://adlt.com.au)!



Denver iD Bollard



Denver iD Wall

# Denver iD Pole

## LED STREET & AREA LUMINAIRE



### ORDERING INFORMATION

Code	<b>Luminaire (required)</b>								
DPL	Denver iD Pole								
Code	<b>Series (required)</b>								
1	Series 1								
Code	<b>Lamp Type (required)</b>								
LA02X	LED light engine producing c 2,000 lm with a nominal 2700K, 3000K or 4000K colour temperature								
LA03X	LED light engine producing c 3,000 lm with a nominal 2700K, 3000K or 4000K colour temperature								
LA04X	LED light engine producing c 4,000 lm with a nominal 2700K, 3000K or 4000K colour temperature								
LA05X	LED light engine producing c 5,000 lm with a nominal 2700K, 3000K or 4000K colour temperature								
LA06X	LED light engine producing c 6,000 lm with a nominal 2700K, 3000K or 4000K colour temperature								
LA07X	LED light engine producing c 7,000 lm with a nominal 2700K, 3000K or 4000K colour temperature								
LA08X	LED light engine producing c 8,000 lm with a nominal 2700K, 3000K or 4000K colour temperature								
LA09X	LED light engine producing c 9,000 lm with a nominal 2700K, 3000K or 4000K colour temperature								
LA10X	LED light engine producing c 10,000 lm with a nominal 2700K, 3000K or 4000K colour temperature								
LA11X	LED light engine producing c 11,000 lm with a nominal 2700K, 3000K or 4000K colour temperature								
LA12X	LED light engine producing c 12,000 lm with a nominal 2700K, 3000K or 4000K colour temperature								
Code	<b>Distribution (required)</b>								
SY	Symmetric								
AY	Asymmetric								
NR	Long and Narrow								
FW	Forward Throw								
FWBL	Forward Throw with internal backlight shield								
HN	High Beam Long and Narrow distribution								
HNBL	High Beam Long and Narrow distribution with internal backlight shield								
Code	<b>Colour (required)</b>								
C1	Smooth White (RAL9016)								
C4	Graphite (RAL 7011)								
C6	Smooth Grey (RAL7035)								
C7	Black (RAL9005)								
C9	Metallic Silver (RAL9006)								
RAL****	RAL Colour (Customer choice)								
Code	<b>Paint Finish (option)</b>								
C	Enhanced Paint Finish								
Code	<b>Voltage Electrical Class (option)</b>								
CII	Class II								
Code	<b>Photocell (option)</b>								
TSZ	Complete with miniature 70 lux factory fitted photocell (Zodion SS12)								
TSZA	Complete with miniature 55 lux factory fitted photocell (Zodion SS12A)								
TSZB	Complete with miniature 35 lux factory fitted photocell (Zodion SS12B)								
T1	Complete with NEMA socket (To accept standard NEMA Photocell, available from Holophane)								
T5	Complete with 5 pin dimming NEMA ANSI C136 41 socket (photocell/node supplied by others) without locking top								
T7	Complete with 7 pin dimming NEMA ANSI C136 41 socket (photocell/node supplied by others) without locking top								
T5T	Complete with 5 pin dimming NEMA ANSI C136 41 socket (photocell/node supplied by others) with weather proof locking top								
T7T	Complete with 7 pin dimming NEMA ANSI C136 41 socket (photocell/node supplied by others) with weather proof locking top								
TZ01	Complete with 4 Pin Zhaga Socket 'Top' (suitable photocell/node supplied by others) with weather proof locking cap								
TZ02	Complete with 4 Pin Zhaga Socket 'Bottom' (suitable photocell/node supplied by others) with weather proof locking cap								
TZ03	Complete with 4 Pin Zhaga Socket 'Top & bottom' (suitable photocell/node supplied by others) with weather proof locking cap								
Code	<b>Dimming Outputs (option)</b>								
LRD	LED Regulable DALI								
LRT56	Pre set to dim to 50% between 12am to 6am								
LRT66	Pre set to dim to 60% between 12am to 6am								
LRT76	Pre set to dim to 70% between 12am to 6am								
LRT****	Customer specified pre set dimming								
Code	<b>Control Gear (option)</b>								
CL7	Programmed to deliver 70% of the initial lumens over the life of the luminaire								
CL8	Programmed to deliver 80% of the initial lumens over the life of the luminaire								
CL9	Programmed to deliver 90% of the initial lumens over the life of the luminaire								
CL****	Customer specified programming								
Code	<b>Controls (option)</b>								
PH1	PIR on a Zhaga socket, suitable up to 12m Dims to 30% after 10 minutes of inactivity switches off after further 10 minutes Remotely re programmable with accessory HEL PRG (purchased separately)								
PH2	Groupable PIR on a Zhaga socket, suitable up to 12m Dims to 30% after 10 minutes of inactivity switches off after further 10 minutes Remotely re programmable with accessory HEL PRG G (purchased separately)								
CA	Wireless lighting node (top socket) for use with Holophane Controlux Air System (Includes subscription package for two years)								
CAP	Wireless lighting node (top socket) & PIR (bottom socket) for use with Holophane Controlux Air System (Includes subscription package for two years) Suitable up to 12m								
Code	<b>Cable Entry (option)</b>								
FL431	4 metres of 1.5mm <sup>2</sup> 3 core single cable "flex"								
FL531	5 metres of 1.5mm <sup>2</sup> 3 core single cable "flex"								
FL631	6 metres of 1.5mm <sup>2</sup> 3 core single cable "flex"								
FL731	7 metres of 1.5mm <sup>2</sup> 3 core single cable "flex"								
FL831	8 metres of 1.5mm <sup>2</sup> 3 core single cable "flex"								
FL451	4 metres of 1.5mm <sup>2</sup> 5 core single cable "flex"								
FL551	5 metres of 1.5mm <sup>2</sup> 5 core single cable "flex"								
FL651	6 metres of 1.5mm <sup>2</sup> 5 core single cable "flex"								
FL751	7 metres of 1.5mm <sup>2</sup> 5 core single cable "flex"								
FL851	8 metres of 1.5mm <sup>2</sup> 5 core single cable "flex"								
FL4312	4 metres of 2.5mm <sup>2</sup> 3 core single cable "flex"								
FL5312	5 metres of 2.5mm <sup>2</sup> 3 core single cable "flex"								
FL6312	6 metres of 2.5mm <sup>2</sup> 3 core single cable "flex"								
FL7312	7 metres of 2.5mm <sup>2</sup> 3 core single cable "flex"								
FL8312	8 metres of 2.5mm <sup>2</sup> 3 core single cable "flex"								
Code	<b>122-version (option)</b>								
AR	Arctic cable								

Replace 'X' in lamp type code with either  
2 for 2700K  
3 for 3000K  
4 for 4000K

max length catered for

### ACCESSORIES

Code									
DPL BLS1	DPL external back light shield 125mm, finished in either C1/ C4/ C6/ C7/ C9								
DPL WB	Wall Bracket								

DPL	LA02X	SY	C1	C	CII	TSZ	LRD	CL7	PH1
<b>Example</b>									

\*Restrictions Apply.

**Note:** The specifications of the Holophane luminaire, all descriptions, illustrations, drawings and specifications in the Holophane catalogue and website represent only general particulars of the goods to which they apply and shall not form part of any contract. The company reserves the right to change specifications at its discretion without prior notification or public announcement.

# DENVER<sup>TM</sup> iD POLE

REGISTERED EUROPEAN DESIGN  
PATENTED DESIGN

DENVER  
iD POLE



Advanced  
LIGHTING TECHNOLOGIES



**ADVANCED LIGHTING TECHNOLOGIES**

AUSTRALIA | [adlt.com.au](http://adlt.com.au) | +61 3 9800 5600  
NEW ZEALAND | [adlt.co.nz](http://adlt.co.nz) | +64 9 415 6332  
SINGAPORE | [adlt.com.sg](http://adlt.com.sg) | +65 6844 2338