

Denver iD Pole

LED STREET & AREA LUMINAIRE



FEATURES

- Available with nominal lumen ranges from 2,000 to 12,000 (delivered).
- A range of distributions for a variety of applications with 0% ULOR.
- 2700K, 3000K, 4000K & Amber options available.
- CRI > 70.
- Available with integrated control options.
- Complies with EN60598.
- IP65 and IK10.
- -25°C to +45°C.
- 5-year warranty.
- Optional backlight shields available on request.

Images display fitting with optional post-top bracket (sold separately).



TYPICAL LUMINAIRE PERFORMANCE

| Configuration | Module Size | Delivered Lumens | Circuit Power (W) | Driver Output Current (mA) | Total No. Of LEDs | Efficacy (lm/w) |
|---------------|-------------|------------------|-------------------|----------------------------|-------------------|-----------------|
| DPL.LA02X | Small | c.2,000 | 15 | 550 | 8 | 135 |
| DPL.LA03X | Small | c.3,000 | 24 | 900 | 8 | 123 |
| DPL.LA04X | Small | c.4,000 | 30 | 575 | 16 | 134 |
| DPL.LA05X | Small | c.5,000 | 38 | 740 | 16 | 130 |
| DPL.LA06X | Small | c.6,000 | 48 | 925 | 16 | 125 |
| DPL.LA07X | Large | c.7,000 | 49 | 500 | 32 | 143 |
| DPL.LA08X | Large | c.8,000 | 57 | 580 | 32 | 141 |
| DPL.LA09X | Large | c.9,000 | 66 | 675 | 32 | 136 |
| DPL.LA10X | Large | c.10,000 | 69 | 480 | 48 | 144 |
| DPL.LA11X | Large | c.11,000 | 78 | 540 | 48 | 141 |
| DPL.LA12X | Large | c.12,000 | 87 | 600 | 48 | 138 |

Lumen data is considered to be representative of the configuration shown, and may vary, with a Tolerance on flux of +/- 7% (typical of LED manufacturers data) and luminaire power of +/- 5%.

CONFIGURATIONS

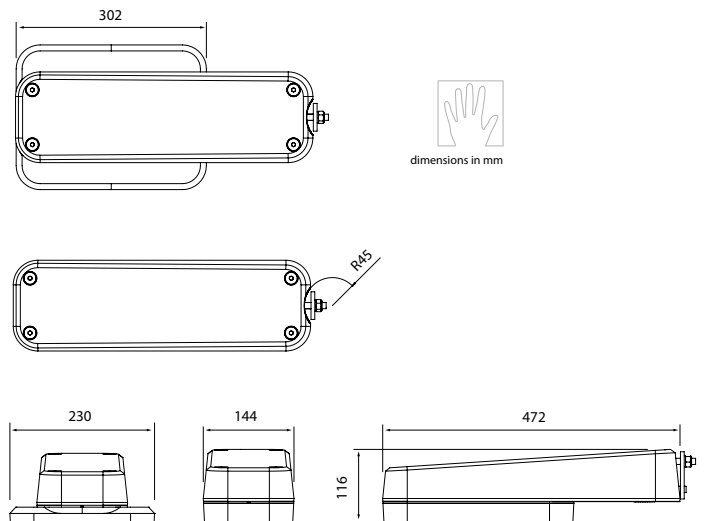


Small Module (8 / 16 LEDs)
Weight: 6.1kg / Windage: 0.042m²



Large Module (32 / 48 LEDs)
Weight: 7.5kg / Windage: 0.042m²

DIMENSIONS



SPECIFICATION

Holophane Denver iD: Pole consists of a 2-part body and a removable LED module manufactured from LM6 marine grade die-cast aluminum with integrated thermal management properties. The optical arrangement consists of LEDs with individual PMMA optical lenses surrounded by a patented white Transition Zone to reduce perceived glare. This is sealed behind high-transparency 'hydrophilic' glass. Both luminaire body and LED module are sealed to IP65 and rated IK10. Drivers and LED are contained within separate housings to promote low operating temperatures and long system life. Column mounting of the luminaire is facilitated by a bespoke post-top bracket (ordered separately). Cable entry and termination to the luminaire is via an IP65 cable gland. International Dark-Sky Association Approved (colour temperatures 3000K or warmer are approved under the IDA).

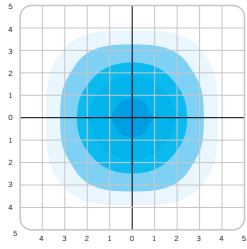


Denver iD Pole

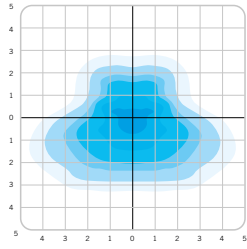
LED STREET & AREA LUMINAIRE



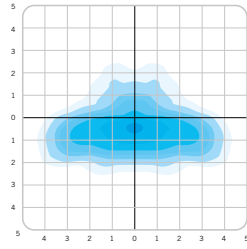
DISTRIBUTIONS



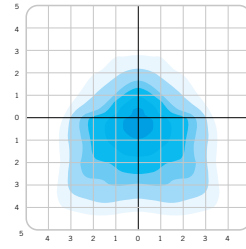
Symmetric (.SY)



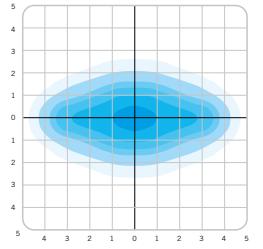
Asymmetric (.AY)



Long & Narrow (.NR)



Forward Throw (.FW)



High Beam Long & Narrow (.HN)

ELECTRICAL

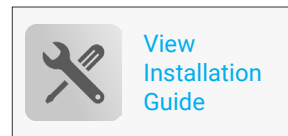
| | LA02X | LA03X | LA04X | LA05X | LA06X | LA07X | LA08X | LA09X | LA10X | LA11X | LA12X |
|--------------------------------|-------------|------------|------------|------------|------------|------------|------------|------------|------------|-----------|-----------|
| Drive Current From Driver | 550mA | 900mA | 575mA | 740mA | 925mA | 500mA | 580mA | 675mA | 480mA | 540mA | 600mA |
| Power | 15W | 24W | 30W | 38W | 48W | 49W | 57W | 66W | 69W | 78W | 87W |
| Fitting Current | 0.07A | 0.11A | 0.13A | 0.17A | 0.22A | 0.22A | 0.26A | 0.3A | 0.31A | 0.35A | 0.39A |
| Power Factor | 0.98 | 0.99 | 0.98 | 0.98 | 0.98 | 0.95 | 0.98 | 0.98 | 0.96 | 0.97 | 0.98 |
| Fitting Inrush | 15A-0.295ms | 15A-0.36ms | 22A-0.29ms | 22A-0.29ms | 43A-0.26ms | 43A-0.26ms | 43A-0.26ms | 43A-0.26ms | 43A-0.26ms | 65A-268ms | 65A-268ms |
| Number of Drivers | 1 | 1 | 1 | 1 | 1 | 1 | 1 | 1 | 1 | 1 | 1 |
| Max Drivers per 16A Type B MCB | 29 | 23 | 20 | 20 | 10 | 10 | 10 | 10 | 10 | 5 | 5 |
| Total Number of LEDs | 8 | 8 | 16 | 16 | 16 | 32 | 32 | 32 | 48 | 48 | 48 |
| Minimum Dim Level | 10% | 8% | 12% | 9% | 8% | 10% | 9% | 7% | 10% | 2% | 2% |
| THDi | 8 | 7 | 8.5 | 7.9 | 11.6 | 11.2 | 9.9 | 8.8 | 8.4 | 11 | 10.5 |

LLMF

| Configuration | Wattage | CCT | Optic | Depreciation @ 50K Hours | Depreciation @ 100K Hours |
|--------------------------|---------|-------|-------|--------------------------|---------------------------|
| DPL.1.LA023.FW.C6.W015 | 15W | 3000K | FW | L97B50 | L94B50 |
| DPL.1.LA043.FW.C6.W030 | 30W | 3000K | FW | L97B50 | L93B50 |
| DPL.1.LA063.FW.C6.W048 | 48W | 3000K | FW | L97B50 | L94B50 |
| DPL.1.LA083.FW.C6.W057 | 57W | 3000K | FW | L96B50 | L93B50 |
| DPL.1.LA113.FW.C6.W078 | 78W | 3000K | FW | L96B50 | L93B50 |
| DPL.1.LA123.FW.C6.W087 | 87W | 3000K | FW | L96B50 | L92B50 |
| AVERAGE (ROUNDED) | | | | L97B50 | L93B50 |

Note: Ta: 25°. Approximate LLMF data provided as a guide only. LLMF for other configurations may be different. For reference purposes, the data may extrapolate beyond the recommended 6x LM-80 data in IESNA TM-21, which these calculations are based on. Contact ADLT for more information.

MAINTENANCE



Denver iD Pole

LED STREET & AREA LUMINAIRE



CONTROLS

Holophane's ZD4i architecture provides a future-proof foundation that enables users to build on whenever their site/project is ready to opt into new advances in technology. It is designed to work with industry-recognised, futureproof drivers and sensors that have the potential to increase energy efficiency and collect different types of data. By having **Denver iD Pole** ZD4i ready customers can upgrade / adjust the controllability of their lighting and gather valuable data whenever they are ready.

BENEFITS

Increased Energy Savings: Sensors and devices can be used to optimise luminaires to give greater energy savings and provide light only when it is required.

Flexibility: The ZD4i architecture enables the interchanging and upgrading of sensor and device options should and when the end-user pleases.

Future Proof: End-users have access to an ever expanding eco-system of devices and sensors through 3rd-party suppliers. The ZD4i architecture is an industry recognised platform.

Note: Please ensure that the selected IoT device is compatible and suitable for the respective luminaire. All installation should be completed in compliance with the respective devices installation instructions (and limitations). Holophane cannot be held responsible for the operation of its luminaires with third party devices.



CONTROL ACCESSORIES



CONTROLUX AIR is a wireless technology that offers intelligent lighting with reductions in energy consumption of up to 80%. It optimises energy savings thanks to the individual control of light sources. It controls, monitors and manages street lighting, reporting consumptions, operating hours or system faults.

IOT.TZ.CA
For use with TZ01 or TZ02



ZD4i



The .CAP option combines a bottom facing 4-pin Zhaga socket (.TZ02) and a ZD4i Wattstopper IP66 sensor.

.CAP OPTION



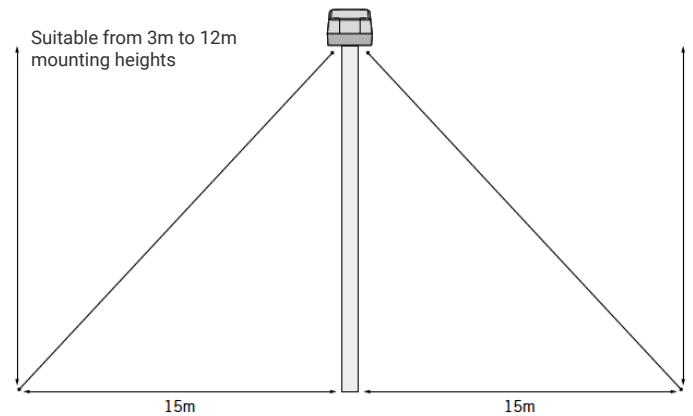
EasyAir SNO110 is ideally suited for outdoor applications and is intended for individual pole control and configuration. It automatically connects to the Global Navigation Satellite System (GNSS) to obtain date and time information in real time. On/off switching as well as a 5-step DynaDimmer scheduling based on date and time can be configured using Bluetooth communication. Therefore, this device can easily replace a photocell or LineSwitch-based control mechanism.

IOT.TZ.EAS
For use with TZ01



The PrecisionHALO is Lucy Zodion's latest photocell innovation that packs a number of features into its small, compact design. Optimised for the latest generation of LED Streetlights, the PrecisionHALO works alongside Zhaga drivers and connectors.

IOT.TZ.TSZC
For use with TZ01



| Mounting Height | 3m | 4m | 5m | 6m | 8m | 10m |
|-----------------|-----|-----|-----|-----|-----|-----|
| Range | 15m | 19m | 22m | 26m | 28m | 30m |

Denver iD Pole

LED STREET & AREA LUMINAIRE



MOUNTING OPTIONS

- Mounts to be ordered separately - wall or post-top (below).
- Single post-top bracket available with the following standard vertical spigots*: 60mm / 76mm.
- Back-to-back post-top bracket available with the following standard vertical spigots*: 76mm. (60mm not possible due to spacing constraints inside pole)

*Larger spigot sizes up to 127mm also available. Contact ADLT for more information.

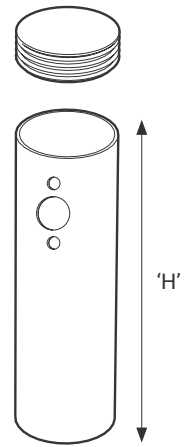


POST TOP BRACKET OPTIONS

| Article No. | Description / Code* | Bracket Type | Height (H) | Tilt Angle** |
|---------------|---------------------|---|------------|--------------|
| 640-2086-P026 | DPLA.1A.AU0.60.## | Single Arm x 60mm OD | 280mm | 0° |
| 640-2087-P026 | DPLA.1A.AU0.76.## | Single Arm x 76mm OD | 280mm | 0° |
| N/A | N/A | Double Arm x 60mm OD not available due to space constraints inside pole | | |
| 640-2092-P026 | DPLA. 2A.AU0.76.## | Double Arm x 76mm OD | 280mm | 0° |

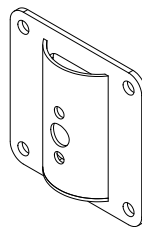
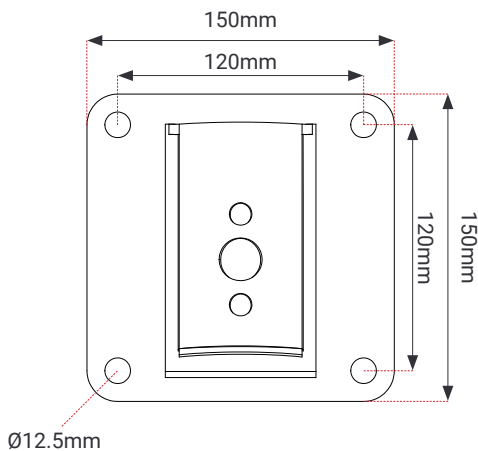
*Replace ## with colour code.

**5° & 10° tilt angle options also available. Contact ADLT for more information.
Single arm post top bracket pictured.

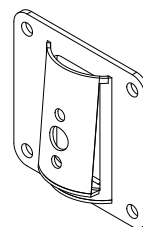


WALL MOUNT BRACKET OPTIONS

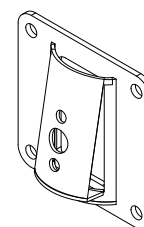
| Article No. | Description / Code | Tilt Angle | Width (W) | Height (H) |
|---------------|--------------------|------------|-----------|------------|
| 040-0987-P026 | DPLA.WB.AU0 | 0° | 150mm | 150mm |
| 040-0988-P026 | DPLA.WB.AU5 | 5° | 150mm | 150mm |
| 040-0989-P026 | DPLA.WB.AU10 | 10° | 150mm | 150mm |



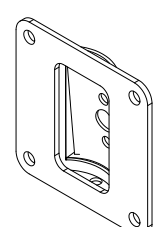
0° Tilt Option



5° Tilt Option



10° Tilt Option





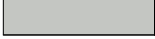


Rear View

Denver iD Pole


LED STREET & AREA LUMINAIRE



STANDARD COLOURS

| | |
|--|-------------------------------------|
|  | C1 Smooth White (RAL9016) |
|  | C4 Smooth Graphite (RAL7011) |
|  | C6 Smooth Grey (RAL7035) |
|  | C7 Textured Black (RAL9005) |
|  | C9 Metallic Silver (RAL9006) |

CUSTOM COLOURS

| | |
|--|--|
|  | RAL**** Customer Specified Colour |
|--|--|

**Choosing a custom colour may increase cost and lead time.*

ADDITIONAL PHOTOS



THE DENVER iD RANGE

Holophane's Denver iD Series consists of wall, pole and bollard luminaires which combine clean styling, visual comfort and unrivalled system performance to meet the unique requirements of pedestrian-friendly amenity spaces.

Coupled with the latest LED technologies, optional smart controls integration and class-leading optical performance, the Denver iD Series combines form with a feature-rich luminaire system.

Click the images below to view the other members of the Denver iD Series on adlt.com.au!



Denver iD Bollard



Denver iD Wall

Denver iD Pole

LED STREET & AREA LUMINAIRE



ORDERING INFORMATION

| | | | | | | | | | |
|---------|---|--|--|--|--|--|--|--|--|
| Code | Luminaire (required) | | | | | | | | |
| DPL | Denver iD Pole | | | | | | | | |
| Code | Series (required) | | | | | | | | |
| 1 | Series 1 | | | | | | | | |
| Code | Lamp Type (required) | | | | | | | | |
| LA02X | LED light engine producing c 2,000 lm with a nominal 2700K, 3000K or 4000K colour temperature | | | | | | | | |
| LA03X | LED light engine producing c 3,000 lm with a nominal 2700K, 3000K or 4000K colour temperature | | | | | | | | |
| LA04X | LED light engine producing c 4,000 lm with a nominal 2700K, 3000K or 4000K colour temperature | | | | | | | | |
| LA05X | LED light engine producing c 5,000 lm with a nominal 2700K, 3000K or 4000K colour temperature | | | | | | | | |
| LA06X | LED light engine producing c 6,000 lm with a nominal 2700K, 3000K or 4000K colour temperature | | | | | | | | |
| LA07X | LED light engine producing c 7,000 lm with a nominal 2700K, 3000K or 4000K colour temperature | | | | | | | | |
| LA08X | LED light engine producing c 8,000 lm with a nominal 2700K, 3000K or 4000K colour temperature | | | | | | | | |
| LA09X | LED light engine producing c 9,000 lm with a nominal 2700K, 3000K or 4000K colour temperature | | | | | | | | |
| LA10X | LED light engine producing c 10,000 lm with a nominal 2700K, 3000K or 4000K colour temperature | | | | | | | | |
| LA11X | LED light engine producing c 11,000 lm with a nominal 2700K, 3000K or 4000K colour temperature | | | | | | | | |
| LA12X | LED light engine producing c 12,000 lm with a nominal 2700K, 3000K or 4000K colour temperature | | | | | | | | |
| Code | Distribution (required) | | | | | | | | |
| SY | Symmetric | | | | | | | | |
| AY | Asymmetric | | | | | | | | |
| NR | Long and Narrow | | | | | | | | |
| FW | Forward Throw | | | | | | | | |
| FWBL | Forward Throw with internal backlight shield | | | | | | | | |
| HN | High Beam Long and Narrow distribution | | | | | | | | |
| HNBL | High Beam Long and Narrow distribution with internal backlight shield | | | | | | | | |
| Code | Colour (required) | | | | | | | | |
| C1 | Smooth White (RAL9016) | | | | | | | | |
| C4 | Graphite (RAL 7011) | | | | | | | | |
| C6 | Smooth Grey (RAL7035) | | | | | | | | |
| C7 | Black (RAL9005) | | | | | | | | |
| C9 | Metallic Silver (RAL9006) | | | | | | | | |
| RAL**** | RAL Colour (Customer choice) | | | | | | | | |
| Code | Paint Finish (option) | | | | | | | | |
| C | Enhanced Paint Finish | | | | | | | | |
| Code | Voltage Electrical Class (option) | | | | | | | | |
| CII | Class II | | | | | | | | |
| Code | Photocell (option) | | | | | | | | |
| TSZ | Complete with miniature 70 lux factory fitted photocell (Zodion SS12) | | | | | | | | |
| TSZA | Complete with miniature 55 lux factory fitted photocell (Zodion SS12A) | | | | | | | | |
| TSZB | Complete with miniature 35 lux factory fitted photocell (Zodion SS12B) | | | | | | | | |
| T1 | Complete with NEMA socket (To accept standard NEMA Photocell, available from Holophane) | | | | | | | | |
| T5 | Complete with 5-pin dimming NEMA ANSI C136 41 socket (photocell/node supplied by others) without locking top | | | | | | | | |
| T7 | Complete with 7-pin dimming NEMA ANSI C136 41 socket (photocell/node supplied by others) without locking top | | | | | | | | |
| T5T | Complete with 5-pin dimming NEMA ANSI C136 41 socket (photocell/node supplied by others) with weather proof locking top | | | | | | | | |
| T7T | Complete with 7-pin dimming NEMA ANSI C136 41 socket (photocell/node supplied by others) with weather proof locking top | | | | | | | | |
| TZ01 | Complete with 4-Pin Zhaga Socket - 'Top' (suitable photocell/node supplied by others) with weather proof locking cap | | | | | | | | |
| TZ02 | Complete with 4-Pin Zhaga Socket - 'Bottom' (suitable photocell/node supplied by others) with weather proof locking cap | | | | | | | | |
| TZ03 | Complete with 4-Pin Zhaga Socket - 'Top & bottom' (suitable photocell/node supplied by others) with weather proof locking cap | | | | | | | | |
| Code | Dimming Outputs (option) | | | | | | | | |
| LRD | LED Regulable DALI | | | | | | | | |
| LRT56 | Pre-set to dim to 50% between 12am to 6am | | | | | | | | |
| LRT66 | Pre-set to dim to 60% between 12am to 6am | | | | | | | | |
| LRT76 | Pre-set to dim to 70% between 12am to 6am | | | | | | | | |
| LRT**** | Customer specified pre-set dimming | | | | | | | | |
| Code | Control Gear (option) | | | | | | | | |
| CL7 | Programmed to deliver 70% of the initial lumens over the life of the luminaire | | | | | | | | |
| CL8 | Programmed to deliver 80% of the initial lumens over the life of the luminaire | | | | | | | | |
| CL9 | Programmed to deliver 90% of the initial lumens over the life of the luminaire | | | | | | | | |
| CL**** | Customer specified programming | | | | | | | | |
| Code | Controls (option) | | | | | | | | |
| PH1 | PIR on a Zhaga socket, suitable up to 12m Dims to 30% after 10 minutes of inactivity - switches off after further 10 minutes Remotely re-programmable with accessory HEL PRG (purchased separately) | | | | | | | | |
| PH2 | Groupable PIR on a Zhaga socket, suitable up to 12m Dims to 30% after 10 minutes of inactivity - switches off after further 10 minutes Remotely re-programmable with accessory HEL PRG G (purchased separately) | | | | | | | | |
| CA | Wireless lighting node (top socket) for use with Holophane Controlux Air System (Includes subscription package for two years) | | | | | | | | |
| CAP | Wireless lighting node (top socket) & PIR (bottom socket) for use with Holophane Controlux Air System (Includes subscription package for two years) Suitable up to 12m | | | | | | | | |
| Code | Cable Entry (option) | | | | | | | | |
| FL431 | 4 metres of 1 5mm ² 3 core single cable "flex" | | | | | | | | |
| FL531 | 5 metres of 1 5mm ² 3 core single cable "flex" | | | | | | | | |
| FL631 | 6 metres of 1 5mm ² 3 core single cable "flex" | | | | | | | | |
| FL731 | 7 metres of 1 5mm ² 3 core single cable "flex" | | | | | | | | |
| FL831 | 8 metres of 1 5mm ² 3 core single cable "flex" | | | | | | | | |
| FL451 | 4 metres of 1 5mm ² 5 core single cable "flex" | | | | | | | | |
| FL551 | 5 metres of 1 5mm ² 5 core single cable "flex" | | | | | | | | |
| FL651 | 6 metres of 1 5mm ² 5 core single cable "flex" | | | | | | | | |
| FL751 | 7 metres of 1 5mm ² 5 core single cable "flex" | | | | | | | | |
| FL851 | 8 metres of 1 5mm ² 5 core single cable "flex" | | | | | | | | |
| FL4312 | 4 metres of 2 5mm ² 3 core single cable "flex" | | | | | | | | |
| FL5312 | 5 metres of 2 5mm ² 3 core single cable "flex" | | | | | | | | |
| FL6312 | 6 metres of 2 5mm ² 3 core single cable "flex" | | | | | | | | |
| FL7312 | 7 metres of 2 5mm ² 3 core single cable "flex" | | | | | | | | |
| FL8312 | 8 metres of 2 5mm ² 3 core single cable "flex" | | | | | | | | |
| Code | 122-version (option) | | | | | | | | |
| AR | Arctic cable | | | | | | | | |

Replace 'X' in lamp type code with either
2 for 2700K
3 for 3000K
4 for 4000K

max length catered for

ACCESSORIES

| | | | | | | | | | |
|----------|---|--|--|--|--|--|--|--|--|
| Code | | | | | | | | | |
| DPL BLS1 | DPL external back light shield 125mm, finished in either C1/ C4/ C6/ C7/ C9 | | | | | | | | |
| DPL WB | Wall Bracket | | | | | | | | |

| | | | | | | | | | |
|----------------|-------|----|----|---|-----|-----|-----|-----|-----|
| DPL | LA02X | SY | C1 | C | CII | TSZ | LRD | CL7 | PH1 |
| Example | | | | | | | | | |

*Restrictions Apply.

Note: The specifications of the Holophane luminaire, all descriptions, illustrations, drawings and specifications in the Holophane catalogue and website represent only general particulars of the goods to which they apply and shall not form part of any contract. The company reserves the right to change specifications at its discretion without prior notification or public announcement.

DENVERTM iD POLE

REGISTERED EUROPEAN DESIGN
PATENTED DESIGN

DENVER
iD POLE



Advanced
LIGHTING TECHNOLOGIES



ADVANCED LIGHTING TECHNOLOGIES

AUSTRALIA | adlt.com.au | +61 3 9800 5600
NEW ZEALAND | adlt.co.nz | +64 9 415 6332
SINGAPORE | adlt.com.sg | +65 6844 2338