

# APOLLO

## G2 | G2 INDUSTRY | REMADE

**HOUSING** Fully sealed housing made of white, glass fiber reinforced polyester, hardly flammable, substantially acid and alkali resistant or REMADE.

**LAMP HOLDER END PIECES** With PRACHT EASY CONNECT (PEC) System for fast one-man-mounting via encoded plug-in connection.

**LAMP COVER** With parabolic mirror reflector, swivelling, made of PRACHTOPAL® (impact resistant), clear PMMA (deep 30°) or REMADE.

**SEALS** Short, ageing resistant silicone seals.

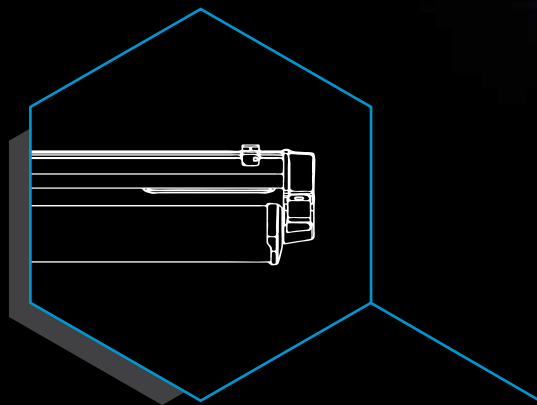
**ELECTRICAL COMPONENTS** Thermic decoupled high performance LEDs and converters.

**THROUGH-WIRING** 7x2.5 mm<sup>2</sup> max. available.

**INSTALLATION** Variable mounting points due to PRACHT-CLIP-SYSTEM made of stainless steel. Suitable for ceiling, pendant and horizontal wall mounting. Optionally available as a recessed version.

**FIELDS OF APPLICATION** Industrial halls, logistic centers, cold storage facilities, workshops, maintenance and production halls.

**TECHNICAL DETAILS** See all technical and lighting data concerning our luminaires on [pracht.com](http://pracht.com)



### TIME IS MONEY

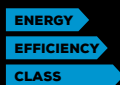
Time-saving thanks to the PEC-System and optional Plug'n Play (pnp) Quick Exchange Converter.

**5**

**YEAR**  
WARRANTY



**UP TO 100.000 h**  
LIFETIME



**CONTAINS A LIGHT**  
**SOURCE OF ENERGY**  
**EFFICIENCY CLASS A**

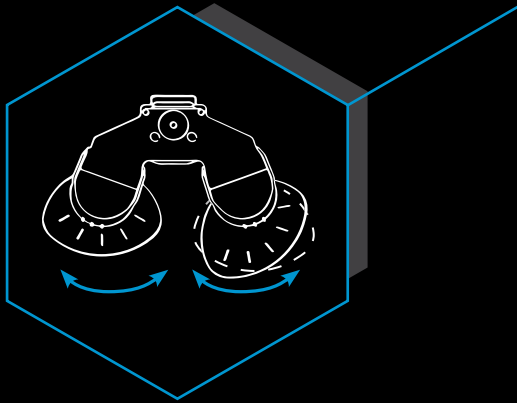
**IP65**



**REMADESCORE**



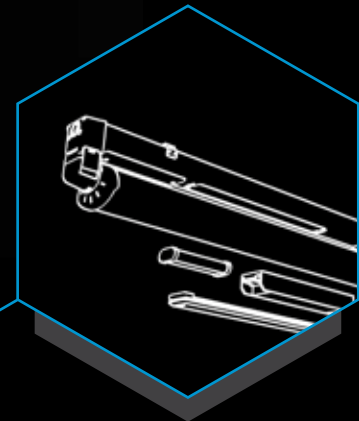
**FROM -45 °C TO +65 °C**  
DEPENDING ON MODEL



**DETERMINED**

Swivelling reflectors ensure perfect illumination.

**PRACHT**<sup>®</sup>



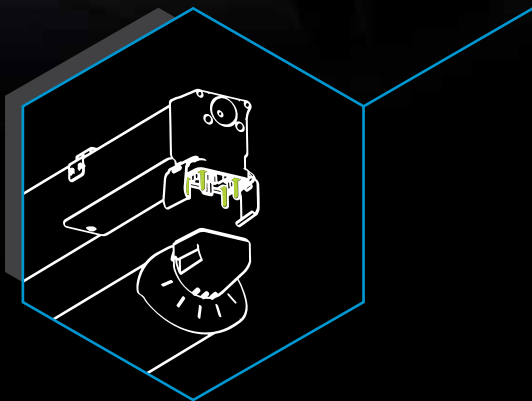
**VERSATILE**

A matter of definition - Through-wiring, sensors, emergency light, everything is possible.



**PRACHT EASY CONNECT (PET) SYSTEM**

Revolutionized guided plug-in connection for one-man-mounting ensuring the simplest reflector installation.



**FROM EVERYDAY TO EXTREME - THE RIGHT SEGMENT FOR EVERY REQUIREMENT**

**ECO LINE**

**BASIC LINE**

**PRO LINE**

**FOR EVERYDAY LIFE**

Cost-effective and easy to assemble

**FOR PROFESSIONALS**

Industrial quality with 5 year PRACHT warranty

**FOR THE EXTREME**

Customised solutions & highest requirements



**APOLLO G2** from -20° to +45° C, 1260 mm length, Ra > 80, color temperature 4000 K, with one reflector (180° swivelling).

	Power	Luminous flux	Wide 90°	Medium 80°	Deep 60°	Narrow 30°	Weight
ON/OFF	1x14 W	2600 lm	94 * 0014w	94 * 0014m	94 * 0014n	94 * 1014d	2,7 kg
	1x22 W	3700 lm	94 * 0024w	94 * 0024m	94 * 0024n	94 * 1024d	2,7 kg
	1x28 W	4800 lm	94 * 0034w	94 * 0034m	94 * 0034n	94 * 1034d	2,7 kg
	1x36 W	5800 lm	94 * 0044w	94 * 0044m	94 * 0044n	94 * 1044d	2,7 kg
	1x51 W	8100 lm	94 * 0054w	94 * 0054m	94 * 0054n	94 * 1054d	2,7 kg
DIM-DALI	1x14 W	2600 lm	94 * 0019w	94 * 0019m	94 * 0019n	94 * 1019d	2,7 kg
	1x22 W	3700 lm	94 * 0029w	94 * 0029m	94 * 0029n	94 * 1029d	2,7 kg
	1x28 W	4800 lm	94 * 0039w	94 * 0039m	94 * 0039n	94 * 1039d	2,7 kg
	1x36 W	5800 lm	94 * 0049w	94 * 0049m	94 * 0049n	94 * 1049d	2,7 kg
	1x51 W	8100 lm	94 * 0059w	94 * 0059m	94 * 0059n	94 * 1059d	2,7 kg


**APOLLO G2** from -20° to +45° C, 1260 mm length, Ra > 80, color temperature 4000 K, with two reflectors (each 160° swivelling).

	Power	Luminous flux	Wide 90°	Medium 80°	Deep 60°	Narrow 30°	Weight
ON/OFF	2x14 W	5200 lm	94 * 0074w	94 * 0074m	94 * 0074n	94 * 1074d	4,4 kg
	2x21 W	7400 lm	94 * 0084w	94 * 0084m	94 * 0084n	94 * 1084d	4,4 kg
	2x28 W	9600 lm	94 * 0094w	94 * 0094m	94 * 0094n	94 * 1094d	4,4 kg
	2x36 W	11600 lm	94 * 0004w	94 * 0004m	94 * 0004n	94 * 1004d	4,4 kg
	2x51 W	16200 lm	94 * 00a4w	94 * 00a4m	94 * 00a4n	94 * 1004d	4,4 kg
DIM-DALI	2x14 W	5200 lm	94 * 0079w	94 * 0079m	94 * 0079n	94 * 1079d	4,4 kg
	2x21 W	7400 lm	94 * 0089w	94 * 0089m	94 * 0089n	94 * 1089d	4,4 kg
	2x28 W	9600 lm	94 * 0099w	94 * 0099m	94 * 0099n	94 * 1099d	4,4 kg
	2x36 W	11600 lm	94 * 0009w	94 * 0009m	94 * 0009n	94 * 1009d	4,4 kg
	2x51 W	16200 lm	94 * 00a9w	94 * 00a9m	94 * 00a9n	94 * 10a9d	4,4 kg

**APOLLO G2** from -20° to +45° C, 1560 mm length, Ra > 80, color temperature 4000 K, with one reflector (180° swivelling).

	Power	Luminous flux	Wide 90°	Medium 80°	Deep 60°	Narrow 30°	Weight
ON/OFF	1x27 W	4700 lm	 94 * 0025w	94 * 0025m	94 * 0025n	94 * 1025d	3,1 kg
	1x36 W	6000 lm	94 * 0035w	94 * 0035m	94 * 0035n	94 * 1035d	3,1 kg
	1x44 W	7200 lm	 94 * 0045w	94 * 0045m	94 * 0045n	94 * 1045d	3,1 kg
	1x64 W	10200 lm	94 * 0055w	94 * 0055m	94 * 0055n	94 * 1055d	3,1 kg
	1x86 W	12500 lm	94 * 0065w	94 * 0065m	94 * 0065n	94 * 1065d	3,1 kg
DIM-DALI	1x99 W	15000 lm	94 * 00c5w	94 * 00c5m	94 * 00c5n	94 * 10c5d	3,1 kg
	1x27 W	4700 lm	94 * 0020w	94 * 0020m	94 * 0020n	94 * 1020d	3,1 kg
	1x36 W	6000 lm	94 * 0030w	94 * 0030m	94 * 0030n	94 * 1030d	3,1 kg
	1x44 W	7200 lm	94 * 0040w	94 * 0040m	94 * 0040n	94 * 1040d	3,1 kg
	1x64 W	10200 lm	94 * 0050w	94 * 0050m	94 * 0050n	94 * 1050d	3,1 kg
	1x86 W	12500 lm	94 * 0060w	94 * 0060m	94 * 0060n	94 * 1060d	3,1 kg
	1x99 W	15000 lm	94 * 00c0w	94 * 00c0m	94 * 00c0n	94 * 10c0d	3,1 kg

**APOLLO G2** from -20° to +45° C, 1560 mm length, Ra > 80, color temperature 4000 K, with two reflectors (each 160° swivelling).

	Power	Luminous flux	Wide 90°	Medium 80°	Deep 60°	Narrow 30°	Weight
ON/OFF	2x27 W	9400 lm	94 * 0085w	94 * 0085m	94 * 0085n	94 * 1085d	4,7 kg
	2x36 W	12000 lm	94 * 0095w	94 * 0095m	94 * 0095n	94 * 1095d	4,7 kg
	2x44 W	14400 lm	 94 * 0005w	94 * 0005m	94 * 0005n	94 * 1005d	4,7 kg
	2x64 W	20400 lm	94 * 00a5w	94 * 00a5m	94 * 00a5n	94 * 10a5d	4,7 kg
	2x86 W	25000 lm	94 * 00b5w	94 * 00b5m	94 * 00b5n	94 * 10b5d	4,7 kg
	2x99 W	30000 lm	94 * 00d5w	94 * 00d5m	94 * 00d5n	94 * 10d5d	4,7 kg
DIM-DALI	2x27 W	9400 lm	94 * 0080w	94 * 0080m	94 * 0080n	94 * 1080d	4,7 kg
	2x36 W	12000 lm	94 * 0090w	94 * 0090m	94 * 0090n	94 * 1090d	4,7 kg
	2x44 W	14400 lm	94 * 0000w	94 * 0000m	94 * 0000n	94 * 1000d	4,7 kg
	2x64 W	20400 lm	94 * 00a0w	94 * 00a0m	94 * 00a0n	94 * 10a0d	4,7 kg
	2x86 W	25000 lm	94 * 00b0w	94 * 00b0m	94 * 00b0n	94 * 10b0d	4,7 kg
	2x99 W	30000 lm	94 * 00d0w	94 * 00d0m	94 * 00d0n	94 * 10d0d	4,7 kg

**APOLLO G2 INDUSTRY** from -45° to +65° C, 1260 mm length, color temperature 4000 K, with one reflector (180° swivelling).

	Power	Luminous flux	Wide 90°	Medium 80°	Deep 60°	Narrow 30°	Weight	Temperature
ON/OFF	1x21 W	3700 lm	94 * 0224w	94 * 0224m	94 * 0224n	94 * 0224d	2,7 kg	-45° to +65° C
	1x31 W	4800 lm	94 * 0234w	94 * 0234m	94 * 0234n	94 * 0234d	2,7 kg	-45° to +65° C
	1x38 W	5800 lm	94 * 0244w	94 * 0244m	94 * 0244n	94 * 0244d	2,7 kg	-45° to +60° C
	1x55 W	8100 lm	94 * 0254w	94 * 0254m	94 * 0254n	94 * 0254d	2,7 kg	-45° to +55° C
DIM-DALI	1x21 W	3700 lm	94 * 0229w	94 * 0229m	94 * 0229n	94 * 0229d	2,7 kg	-45° to +65° C
	1x31 W	4800 lm	94 * 0239w	94 * 0239m	94 * 0239n	94 * 0239d	2,7 kg	-45° to +65° C
	1x38 W	5800 lm	94 * 0249w	94 * 0249m	94 * 0249n	94 * 0249d	2,7 kg	-45° to +60° C
	1x55 W	8100 lm	94 * 0259w	94 * 0259m	94 * 0259n	94 * 0259d	2,7 kg	-45° to +55° C

**APOLLO G2 INDUSTRY** from -45° to +65° C, 1260 mm length, color temperature 4000 K, with two reflectors (each 160° swivelling).

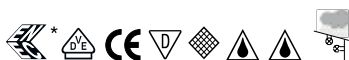
	Power	Luminous flux	Wide 90°	Medium 80°	Deep 60°	Narrow 30°	Weight	Temperature
ON/OFF	2x21 W	7400 lm	94 * 0284w	94 * 0284m	94 * 0284n	94 * 0284d	3,7 kg	-45° to +65° C
	2x31 W	9600 lm	94 * 0294w	94 * 0294m	94 * 0294n	94 * 0294d	3,7 kg	-45° to +60° C
	2x38 W	11600 lm	94 * 0204w	94 * 0204m	94 * 0204n	94 * 0204d	3,7 kg	-45° to +60° C
	2x55 W	16200 lm	94 * 02a4w	94 * 02a4m	94 * 02a4n	94 * 02a4d	3,7 kg	-45° to +50° C
DIM-DALI	2x21 W	7400 lm	94 * 0289w	94 * 0289m	94 * 0289n	94 * 0289d	3,7 kg	-45° to +65° C
	2x31 W	9600 lm	94 * 0299w	94 * 0299m	94 * 0299n	94 * 0299d	3,7 kg	-45° to +60° C
	2x38 W	11600 lm	94 * 0209w	94 * 0209m	94 * 0209n	94 * 0209d	3,7 kg	-45° to +60° C
	2x55 W	16200 lm	94 * 02a9w	94 * 02a9m	94 * 02a9n	94 * 02a9d	3,7 kg	-45° to +50° C

**APOLLO G2 INDUSTRY** from -45° to +65° C, 1560 mm length, color temperature 4000 K, with one reflector (180° swivelling).

	Power	Luminous flux	Wide 90°	Medium 80°	Deep 60°	Narrow 30°	Weight	Temperature
ON/OFF	1x29 W	4700 lm	94 * 0225w	94 * 0225m	94 * 0225n	94 * 0225d	3,1 kg	-45° to +65° C
	1x38 W	6000 lm	94 * 0235w	94 * 0235m	94 * 0235n	94 * 0235d	3,1 kg	-45° to +65° C
	1x46 W	7200 lm	94 * 0245w	94 * 0245m	94 * 0245n	94 * 0245d	3,1 kg	-45° to +60° C
	1x70 W	10200 lm	94 * 0255w	94 * 0255m	94 * 0255n	94 * 0255d	3,1 kg	-45° to +50° C
DIM-DALI	1x83 W	12500 lm	94 * 0265w	94 * 0265m	94 * 0265n	94 * 0265d	3,1 kg	-45° to +50° C
	1x29 W	4700 lm	94 * 0220w	94 * 0220m	94 * 0220n	94 * 0220d	3,1 kg	-45° to +65° C
	1x38 W	6000 lm	94 * 0230w	94 * 0230m	94 * 0230n	94 * 0230d	3,1 kg	-45° to +65° C
	1x46 W	7200 lm	94 * 0240w	94 * 0240m	94 * 0240n	94 * 0240d	3,1 kg	-45° to +65° C
	1x70 W	10200 lm	94 * 0250w	94 * 0250m	94 * 0250n	94 * 0250d	3,1 kg	-45° to +65° C
	1x83 W	12500 lm	94 * 0260w	94 * 0260m	94 * 0260n	94 * 0260d	3,1 kg	-45° to +65° C

**APOLLO G2 INDUSTRY** from -45° to +65° C, 1560 mm length, color temperature 4000 K, with two reflectors (each 160° swivelling).

	Power	Luminous flux	Wide 90°	Medium 80°	Deep 60°	Narrow 30°	Weight	Temperature
ON/OFF	2x29 W	9400 lm	94 * 0285w	94 * 0285m	94 * 0285n	94 * 0285d	4,2 kg	-45° to +65° C
	2x38 W	12000 lm	94 * 0295w	94 * 0295m	94 * 0295n	94 * 0295d	4,2 kg	-45° to +60° C
	2x46 W	14400 lm	94 * 0205w	94 * 0205m	94 * 0205n	94 * 0205d	4,2 kg	-45° to +55° C
DIM-DALI	2x70 W	20400 lm	94 * 02a5w	94 * 02a5m	94 * 02a5n	94 * 02a5d	4,2 kg	-45° to +50° C
	2x83 W	25000 lm	94 * 02b5w	94 * 02b5m	94 * 02b5n	94 * 02b5d	4,2 kg	-45° to +50° C
	2x29 W	9400 lm	94 * 0280w	94 * 0280m	94 * 0280n	94 * 0280d	4,2 kg	-45° to +65° C
	2x38 W	12000 lm	94 * 0290w	94 * 0290m	94 * 0290n	94 * 0290d	4,2 kg	-45° to +60° C
	2x46 W	14400 lm	94 * 0200w	94 * 0200m	94 * 0200n	94 * 0200d	4,2 kg	-45° to +55° C
	2x70 W	20400 lm	94 * 02a0w	94 * 02a0m	94 * 02a0n	94 * 02a0d	4,2 kg	-45° to +50° C
	2x83 W	25000 lm	94 * 02b0w	94 * 02b0m	94 * 02b0n	94 * 02b0d	4,2 kg	-45° to +50° C



**APOLLO REMADE** with one reflector (180° swivelling), 600 mm length,  $R_a > 80$ , color temperature 4000 K, Ta: -20°C ... +45°C.

ON/OFF	Power	Luminous flux	Wide 90°	Medium 80°	Deep 60°	Weight
		1x21 W	3000 lm	94 * 5042w	94 * 5042m	94 * 5042n
	1x21 W	3000 lm	94 * 5047w	94 * 5047m	94 * 5047n	2,0 kg

**APOLLO REMADE** with one reflector (180° swivelling), 1200 mm length,  $R_a > 80$ , color temperature 4000 K, Ta: -20°C ... +45°C.

DIM-DALI	Power	Luminous flux	Wide 90°	Medium 80°	Deep 60°	Weight
		1x36 W	5800 lm	94 * 5044w	94 * 5044m	94 * 5044n
	1x36 W	5800 lm	94 * 5049w	94 * 5049m	94 * 5049n	2,7 kg

**APOLLO REMADE** with two reflectors (180° swivelling), 1200 mm length,  $R_a > 80$ , color temperature 4000 K, Ta: -20°C ... +45°C.

ON/OFF	Power	Luminous flux	Wide 90°	Medium 80°	Deep 60°	Weight
		2x36 W	11600 lm	94 * 5004w	94 * 5004m	94 * 5004n
	2x36 W	11600 lm	94 * 5009w	94 * 5009m	94 * 5009n	4,4 kg

**APOLLO REMADE** with one reflector (180° swivelling), 1500 mm length,  $R_a > 80$ , color temperature 4000 K, Ta: -20°C ... +45°C.

DIM-DALI	Power	Luminous flux	Wide 90°	Medium 80°	Deep 60°	Weight
		1x44 W	7200 lm	94 * 5045w	94 * 5045m	94 * 5045n
	1x44 W	7200 lm	94 * 5049w	94 * 5040m	94 * 5040n	3,1 kg

**APOLLO REMADE** with two reflectors (180° swivelling), 1500 mm length,  $R_a > 80$ , color temperature 4000 K, Ta: -20°C ... +45°C.

ON/OFF	Power	Luminous flux	Wide 90°	Medium 80°	Deep 60°	Weight
		2x44 W	14400 lm	94 * 5005w	94 * 5005m	94 * 5005n
	2x44 W	14400 lm	94 * 5000w	94 * 5000m	94 * 5000n	4,7 kg

**APOLLO G2 ULTRA** with one reflector (180° swivelling), 600 mm length,  $R_a > 80$ , color temperature 4000 K, Ta: -20°C ... +45°C.

DIM-DALI	Power	Luminous flux	Wide 90°	Medium 80°	Deep 60°	Weight
		1x18 W	3600 lm	94 * 0132w	94 * 0132m	94 * 0132n
	1x18 W	3600 lm	94 * 0137w	94 * 0137m	94 * 0137n	2,0 kg

**APOLLO G2 ULTRA** with one reflector (180° swivelling), 1200 mm length,  $R_a > 80$ , color temperature 4000 K, Ta: -20°C ... +45°C.

ON/OFF	Power	Luminous flux	Wide 90°	Medium 80°	Deep 60°	Weight
		1x34 W	7200 lm	94 * 0134w	94 * 0134m	94 * 0134n
	1x34 W	7200 lm	94 * 0139w	94 * 0139m	94 * 0139n	2,7 kg

**APOLLO G2 ULTRA** with two reflectors (180° swivelling), 1200 mm length,  $R_a > 80$ , color temperature 4000 K, Ta: -20°C ... +45°C.

DIM-DALI	Power	Luminous flux	Wide 90°	Medium 80°	Deep 60°	Weight
		2x33 W	14400 lm	94 * 0174w	94 * 0174m	94 * 0174n
	2x33 W	11400 lm	94 * 0179w	94 * 0179m	94 * 0179n	4,4 kg

**APOLLO G2 ULTRA** with one reflector (180° swivelling), 1500 mm length,  $R_a > 80$ , color temperature 4000 K, Ta: -20°C ... +45°C.

ON/OFF	Power	Luminous flux	Wide 90°	Medium 80°	Deep 60°	Weight
		1x42 W	8900 lm	94 * 0135w	94 * 0135m	94 * 0135n
	1x42 W	8900 lm	94 * 0130w	94 * 0130m	94 * 0130n	3,1 kg

**APOLLO G2 ULTRA** with two reflectors (180° swivel), 1500 mm length,  $R_a > 80$ , color temperature 4000 K, Ta: -20°C ... +45°C.

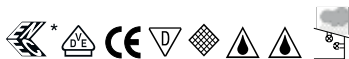
DIM-DALI	Power	Luminous flux	Wide 90°	Medium 80°	Deep 60°	Weight
		2x41 W	17800 lm	94 * 0175w	94 * 0175m	94 * 0175n
	2x41 W	17800 lm	94 * 0170w	94 * 0170m	94 * 0170n	4,7 kg



<b>NOTE</b>	<p>Please replace the asterisk * with the needed digit to complete the P/N!</p> <p><b>OTHER LIGHT COLORS AVAILABLE ON REQUEST.</b></p> <p>Just add the light color code to P/N. Example: 2x33W wide 90° without through-wiring/with 5000K Ra&gt;80: 9300175w850</p> <p>Light colors differing from standard require longer delivery times. Photometric data is based on light color 840.</p>	<p><b>COMPLEMENTARY CODES FOR THROUGH-WIRING</b></p> <p>Without through-wiring</p> <p>2x1,5 mm<sup>2</sup>; for DALI 2x1,5 mm<sup>2</sup> + 2x1,5 mm<sup>2</sup>                  2x2,5 mm<sup>2</sup>; for DALI 2x2,5 mm<sup>2</sup> + 2x1,5 mm<sup>2</sup>                  3x1,5 mm<sup>2</sup>; for DALI 3x1,5 mm<sup>2</sup> + 2x1,5 mm<sup>2</sup>                  3x2,5 mm<sup>2</sup>; for DALI 3x2,5 mm<sup>2</sup> + 2x1,5 mm<sup>2</sup>                  4x1,5 mm<sup>2</sup>; for DALI 4x1,5 mm<sup>2</sup> + 2x1,5 mm<sup>2</sup>                  4x2,5 mm<sup>2</sup>; for DALI 4x2,5 mm<sup>2</sup> + 2x1,5 mm<sup>2</sup>                  5x1,5 mm<sup>2</sup>; for DALI 5x1,5 mm<sup>2</sup> + 2x1,5 mm<sup>2</sup>                  5x2,5 mm<sup>2</sup>; for DALI 5x2,5 mm<sup>2</sup> + 2x1,5 mm<sup>2</sup></p>	<p><b>Digit</b></p> <p>* = 0                  * = 1                  * = 2                  * = 3                  * = 4                  * = 5                  * = 6                  * = 7                  * = 8</p>
-------------	--	--	--

## WHY APOLLO G2 INDUSTRY?

<ul style="list-style-type: none"> <li>✓ <b>INDUSTRIAL LED BOARD</b></li> <li>✓ <b>INDUSTRIAL CONVERTER</b></li> </ul>	▶	<p>Longer lifetime, less maintenance, higher ambient temperature</p>
--	---	--



Protection class I  
 Ingress Protection IP65  
 Dust-tight, water jet proof, 220-240V 50/60Hz, \*registered

